

VIPAC HA760S

TECHNICAL DATA

DRUM WIDTH	760mm
DRUM DIAMETER	500mm
BASIC WEIGHT	905kg
OPERATING WEIGHT	1005kg
SPEED - SLOW	30 m/min
SPEED - FAST	52 m/min
GRADABILITY WITH VIBRATION	35%
GRADABILITY WITHOUT VIBRATION	55%
VIBRATION FORCE	39.3kN
FREQUENCY	55 Hz
WATER TANK CAPACITY	100 litre
ENGINE	
HATZ SUPRA	1D50
4 STROKE AIR COOLED	DIESEL
GOV. ENGINE SPEED	2750 RPM
OUTPUT AT SEA LEVEL	7.7 kW
FUEL TANK CAPACITY	7.25 litre
EDGE CLEARANCE	21 mm



This machine is the most popular model amongst contractors and plant hire companies. It is versatile in most applications. Amongst a few uses of the 760 are road repairs and maintenance, laying new stretches of asphalt and large foundations. A must have in any fleet.

FEATURES OF THE HATZ DIESEL ENGINE

- Pressure lubrication with gear oil pump
- Oil sump of sheet metal
- Emission of noise reduced to the absolute minimum
- Economical fuel consumption
- Easily serviced due to automatic injection pump bleeding
- Secure and effortless starting thanks to automatic extra fuel device

PERFORMANCE

The large drum diameter provides good climbing ability. This is also complimented by the alternating impact effect as one drum always remains in contact with the ground when vibrating. In addition, one side of the roller is flush, which enables the machine to operate extremely close to walls and obstructions and eliminates any need for refinishing edges or verges.

Other Features

Proven compaction principle of directional timed vibration. Vibration in the drums for high compaction performance and optimum traction. Closely sets drums with large diameter results in high maneuverability and smooth surface. Large water tanks above both drums for uniform water sprinkling and uninterrupted work on asphalt courses.

Safety

The compact design with low centre of gravity ensures maximum safety and stability which guarantees stable reliable operation on any gradient and gives complete confidence to the operator.

Local

In keeping with the company's policy of progressive development, the Vipac with a high content of locally manufactured parts, has been designed to keep maintenance costs to a minimum while producing outstanding performance.

MACHINE APPLICATIONS

TRENCH	
PAVING	✓
ASPHALT PATCHING	✓
NEW ASPHALT	✓



We are Service Driven

MECHANICAL ADVANTAGE

We understand the importance of producing quality workmanship in the best possible time frame once onsite. Therefore all machines are mechanically driven and have been designed to rough out the harshest conditions that Southern Africa has to offer. With easy to replace parts at cost effective prices and very little operator training needed, they maintain the highest reputation in reliability and performance.



SPARES

We have a comprehensive range of spares to support our product in it's life cycle after purchase. Friendly and helpful staff are willing to put in all the extra effort in keeping your machine in prime condition, with 30 years experience in servicing our customers every need.



We are Service Driven

AFTER SALES SUPPORT

At HA Plant we believe that after sales support is the most important aspect of your purchase, we have a workshop with highly trained staff in all areas of maintenance and repairs. We also offer maintenance contracts to guarantee the lowest product life cost possible. For minimum down time our service vehicle performs all minor services and repairs on site and is available for transporting machines to and from our workshop. This service is offered free to customers within 50km of our workshop and can be arranged to travel further if needed.

30 YEARS

HA Plant Maintenance has been supplying the compaction market for over 30 years, repairing and manufacturing the Vipac range of machinery for over 18 years. With a Vipac machine you don't only get a compaction roller you get over 30 years of manufacturing excellence. We also back up all our products and workmanship with warranties to assure you that we are the very best in the industry.



VIPAC

JOHANNESBURG

4 Spekreter Road
Birch Acres Ext. 7, Kempton Park
P.O. Box 2717, Kempton Park 1620

Tel: 011 393 1622

Fax: 011 393 3528

Web site: www.haplant.co.za

DURBAN

Unit 15, Goodwood Corner
Goodwood Road
Mahogany Ridge, Pinetown
P.O. Box 15300, Westmead, 3608

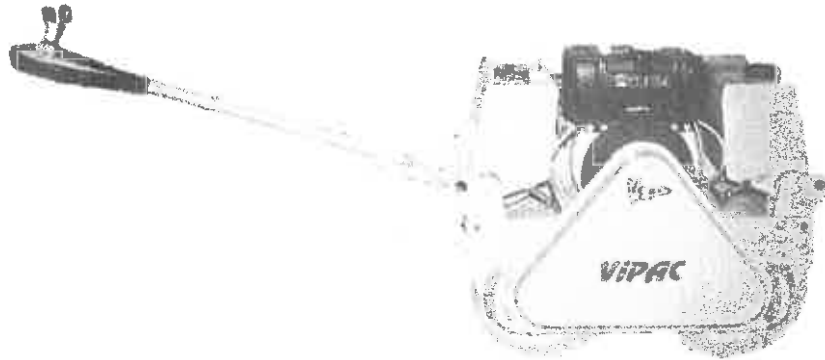
Phone: 031 700 6983/4

Fax : 031 700 6986



VIPAC

HA 760



Spare Parts Catalogue



Recommended Torque specification for bolts and nuts used on VIPAC machines:

Please note that self locking NYLOCK NUTS should always be replaced by new ones and Anaerobic bonding liquids should be used on re-assembly of components i.e. bolts, screws, nuts and studs (Anaerobic liquid specifications and users instructions are available on request.

Following tensile strength might be used on bolts:

8.8 = 8 G
 10.9 = 10 K
 12.9 = 12 K

BOLT SIZE	TORQUES Nm (ft lbs)		
	8.8	10.9	12.9
M5	6 (4)	8.5 (6)	10 (7)
M6	10 (7)	15 (11)	18 (13)
M8	25 (18)	35 (26)	45 (33)
M10	50 (27)	75 (55)	85 (63)
M12	90 (66)	125 (92)	150 (111)
M16	215 (159)	305 (225)	365 (269)

When tightening bolts and nuts always use a torque wrench.

MACHINE DIMENSIONS

Basic Weight (Empty Tanks)	905 Kg
Overall length	2780 mm
Overall width.....	890 mm
Overall height	1150 mm
Width of drums.....	760 mm
Watertank Capacity	100 litres

OPERATION AND LUBRICATION GUIDELINES ON THE VIPAC HA390S/P, HA650, HA630, HA760 AND HA900

OPERATION

When starting, open the Black Knob to maximum forward position. Lift decompression lever all the way and start with crank handle. When engine has started, move black knob to centre position. Let idle for at least 5 minutes or until the tappet cover feels hot under your hand. You are now ready to start work.

For Travel:

Push speed control to high speed and push red knob to **maximum** forward position. For reverse, **maximum** rear position.

For Vibration Forward and Reverse:

Speed control in slow, push both the black and the red knobs **maximum** forward and for reverse, speed control in slow, push black knob **maximum** forward and the red knob **maximum** to the rear.

Note: There is a neutral position between the fast and slow.

MAINTENANCE

- Check engine oil twice daily.
- Never overfill engine or gearbox.
- Check drive belts to gearbox weekly and adjust when necessary.
- Do not force speed lever.

OIL

Engine	15W40 Series 3 Engine Oil
Gearbox	15W40 Series 3 Engine Oil
Final Drive	EP140

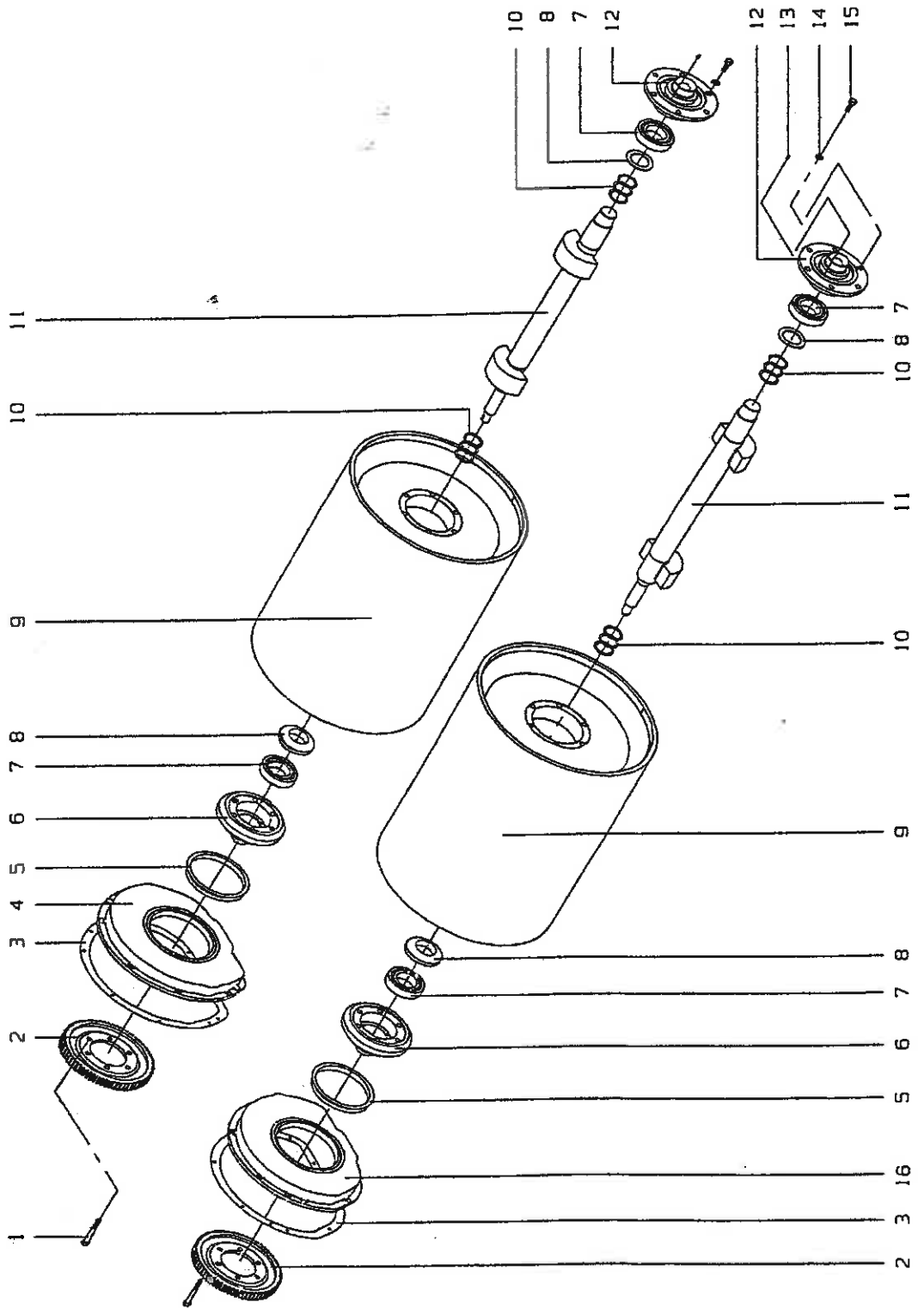
HINTS

- Only drain oil when hot.
- Park machine a slight (2°) angle when draining oil.
- Relube drive gears bi-annually. (Not on HA390 and HA900)
- Do sediment drain monthly.

INDEX

760 - 10	Roller Drums
760 - 20	Sideplate Lefthand
760 - 30	Sideplate Righthand
760 - 31	Drive Shaft
760 - 32	Centrifugal Clutch
760 - 40	Frame & Gearbox
210 - 41	Drive Control
760 - 42	Gas Control
760 - 43	Safety Handle
760 - 44	Safety Control
250 - 50	Gearbox
250 - 51	Pinion Shaft
250 - 52	Disc Clutch
250 - 53	Dipstick Modification
760 - 60	Engine
760 - 61	Fieldmarshal Engine

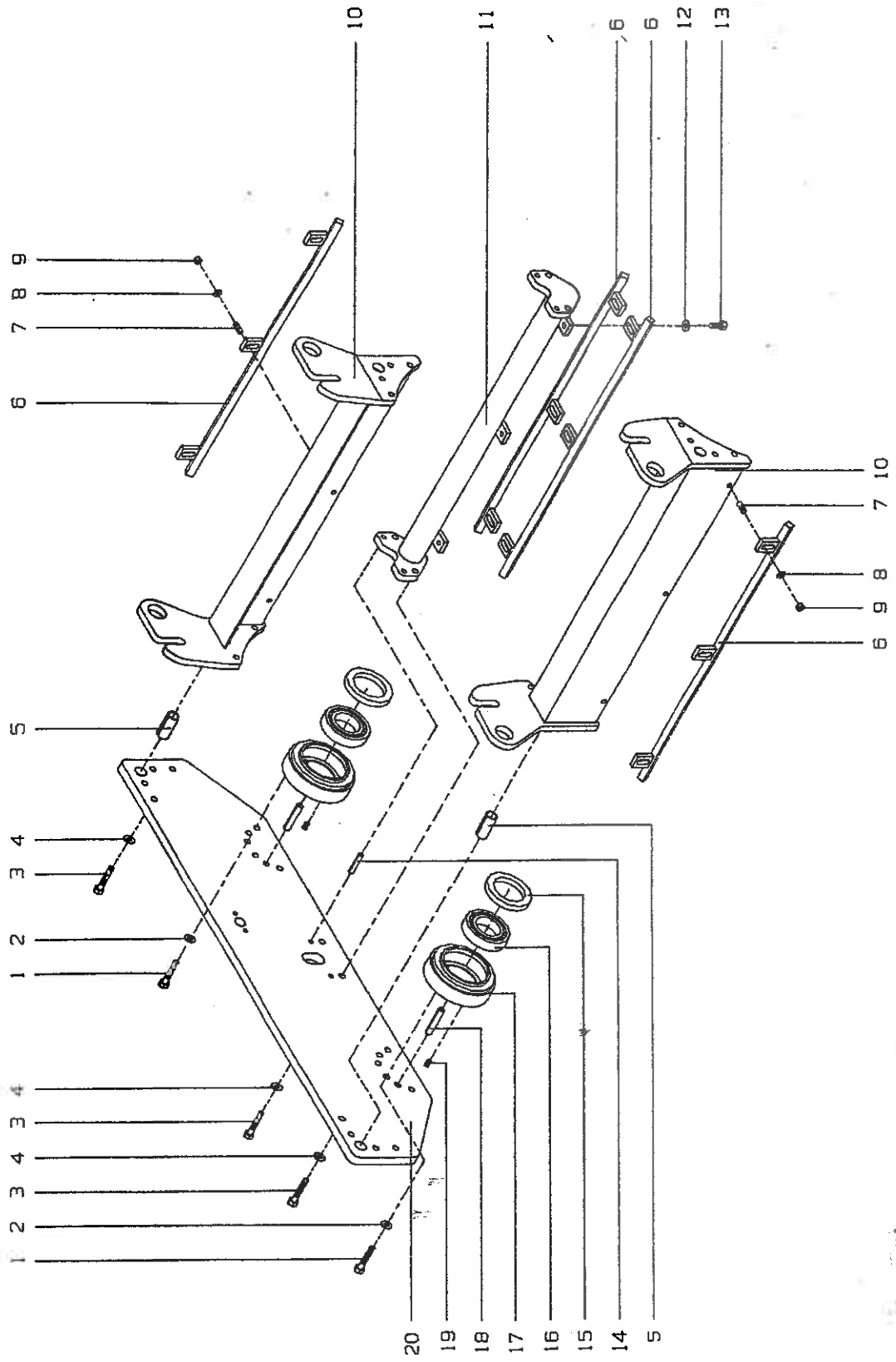
760 - 10 ROLLER DRUMS



760 - 10**ROLLER DRUM**

760 - 10 - 1	Hex Bolt	12	V17131229
760 - 10 - 2	Gear	2	V21010302
760 - 10 - 3	Gasket	2	V21010108
760 - 10 - 4	Protection Cover Rear	1	V21010110
760 - 10 - 5	Sliding Gasket	2	V16260017
760 - 10 - 6	Bearing Flange	2	V21010301
760 - 10 - 7	Cyl Roller Bearing	4	V15224274
760 - 10 - 8	Nilos Ring	4	V15331849
760 - 10 - 9	Roller Drum	2	V76010101
760 - 10 - 10	Supp Disc	12	V15521730
760 - 10 - 11	Vibrator Shaft	2	V76010801
760 - 10 - 12	Bearing Flange	2	V21010201
760 - 10 - 13	Threaded Pin	4	V17540804
760 - 10 - 14	Schnorr Washer	12	V15531218
760 - 10 - 15	Hex Bolt	12	V17141236
760 - 10 - 16	Protection Cover Front	1	V21010109

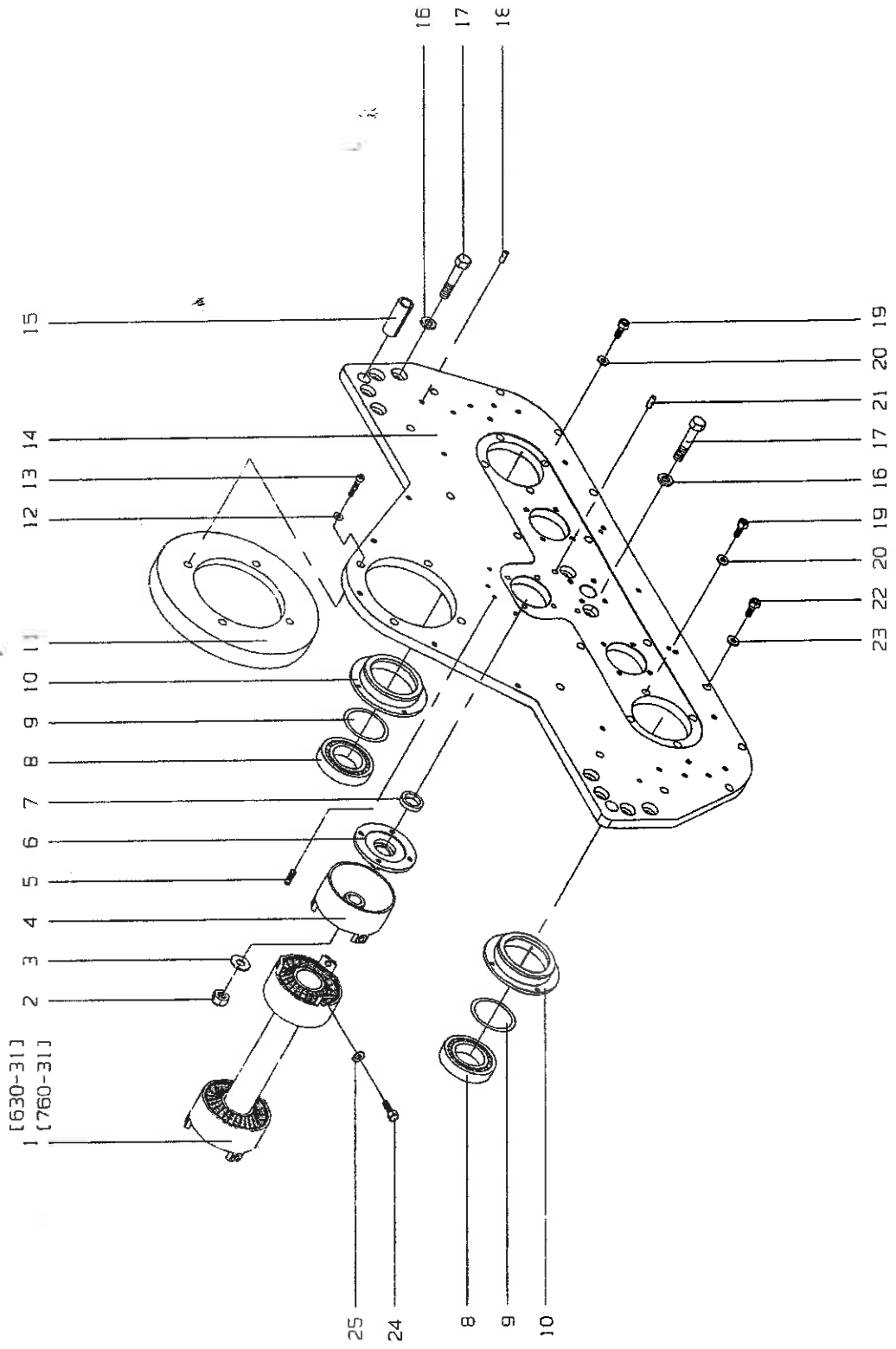
760 - '20 SIDEPLATE LEFTHAND



760 - 20**SIDEPLATE LEFTHAND**

760 - 20 - 1	Hex Bolt	8	V17141236
760 - 20 - 2	Schnorr Washer	8	V15531218
760 - 20 - 3	Hex Bolt	10	V17141224
760 - 20 - 4	Schnorr Washer	10	V15531218
760 - 20 - 5	Tightening Sleeve	2	V19162512
760 - 20 - 6	Scraper	4	V76020401
760 - 20 - 7	Stud	6	V17581008
760 - 20 - 8	Disc	6	V18752105
760 - 20 - 9	Nylock Nut	6	V18131016
760 - 20 - 10	Outer Cross Piece	2	V76020701
760 - 20 - 11	Inner Cross Piece	1	V76020201
760 - 20 - 12	Disc	6	V18752105
760 - 20 - 13	Hex Bolt	6	V17141024
760 - 20 - 14	Tightening Sleeve	2	V19161008
760 - 20 - 15	Oil Seal	2	V19314201
760 - 20 - 16	Cyl Roller Bearing	2	V15222292
760 - 20 - 17	Bearing Housing	2	V21020102
760 - 20 - 18	Spiral Expanding Pin	4	V15981345
760 - 20 - 19	Threaded Pin	4	V17540804
760 - 20 - 20	Sideplate Small L/H	1	V21020601

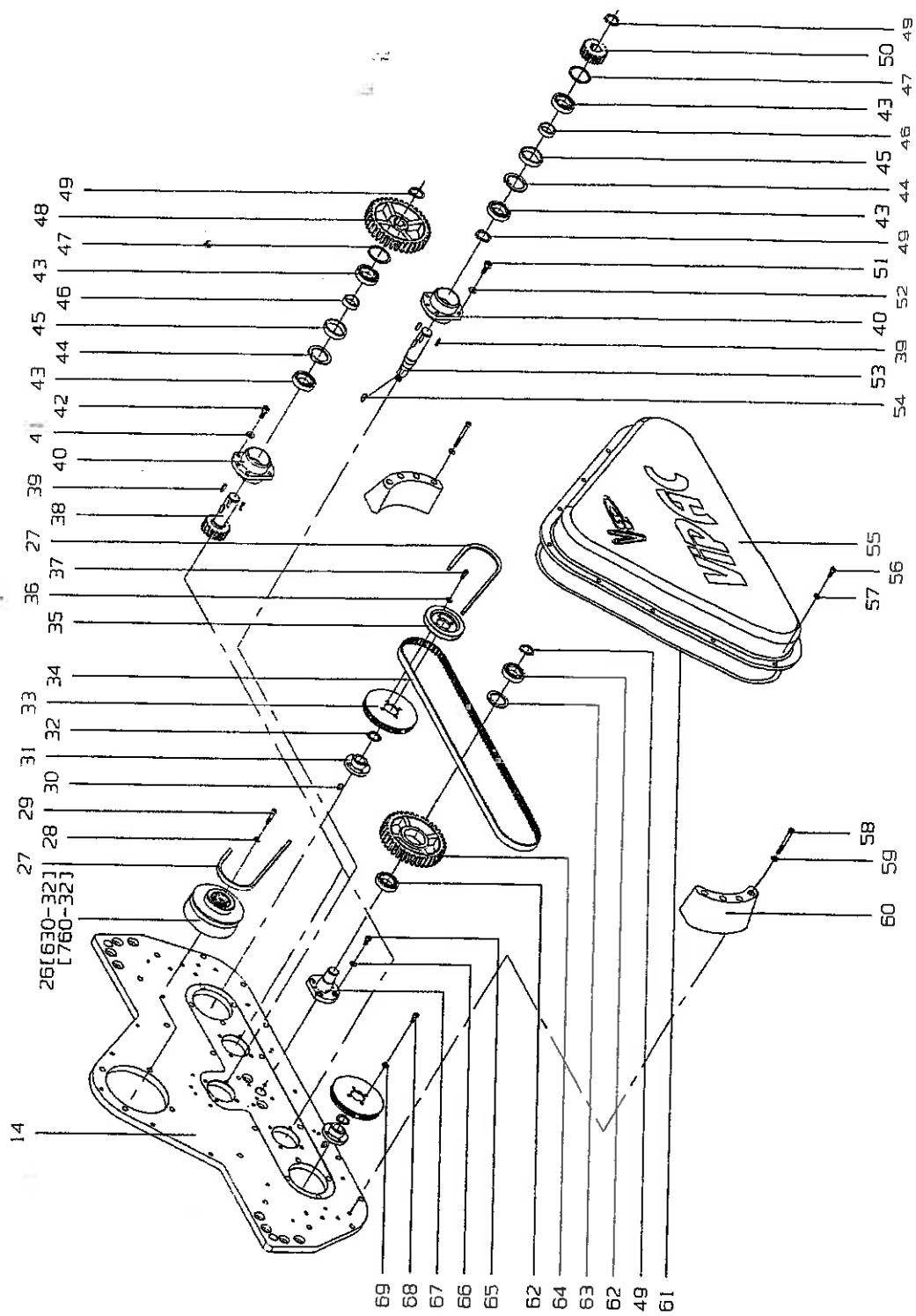
760 - 30 SIDEPLATE RIGHTHAND



760 - 30**SIDEPLATE RIGHTHAND**

760 - 30 - 1	Drive Shaft Complete	1	V76030607
760 - 30 - 2	Safety Nut	1	V18181161
760 - 30 - 3	Flat Washer	1	V18511730
760 - 30 - 4	Coupling Flange	1	V21030604
760 - 30 - 5	Threaded Pin	4	V17540804
760 - 30 - 6	Supporting Ring	1	V21030302
760 - 30 - 7	Oil Seal	1	V19311911
760 - 30 - 8	Cyl Roller Bearing	2	V15222292
760 - 30 - 9	Nilos Ring	2	V15332511
760 - 30 - 10	Bearing Bush	2	V21030102
760 - 30 - 11	Rubber Cover	1	V76030605
760 - 30 - 12	Schnorr Washer	4	V15530813
760 - 30 - 13	SHC Screw	4	V17230809
760 - 30 - 14	Sideplate Big R/H	1	V21031001
760 - 30 - 15	Tightening Sleeve	2	V19162512
760 - 30 - 16	Schnorr Washer	10	V15531218
760 - 30 - 17	Hex Bolt	10	V17141224
760 - 30 - 18	Tightening Sleeve	4	V19160807
760 - 30 - 19	SHC Screw	8	V17230801
760 - 30 - 20	Schnorr Washer	8	V15520813
760 - 30 - 21	Tightening Sleeve	2	V19161008
760 - 30 - 22	SHC Screw	16	V17230809
760 - 30 - 23	Schnorr Washer	16	V15530813
760 - 30 - 24	Hex Bolt	6	V17141016
760 - 30 - 25	Schnorr Washer	6	V15531016

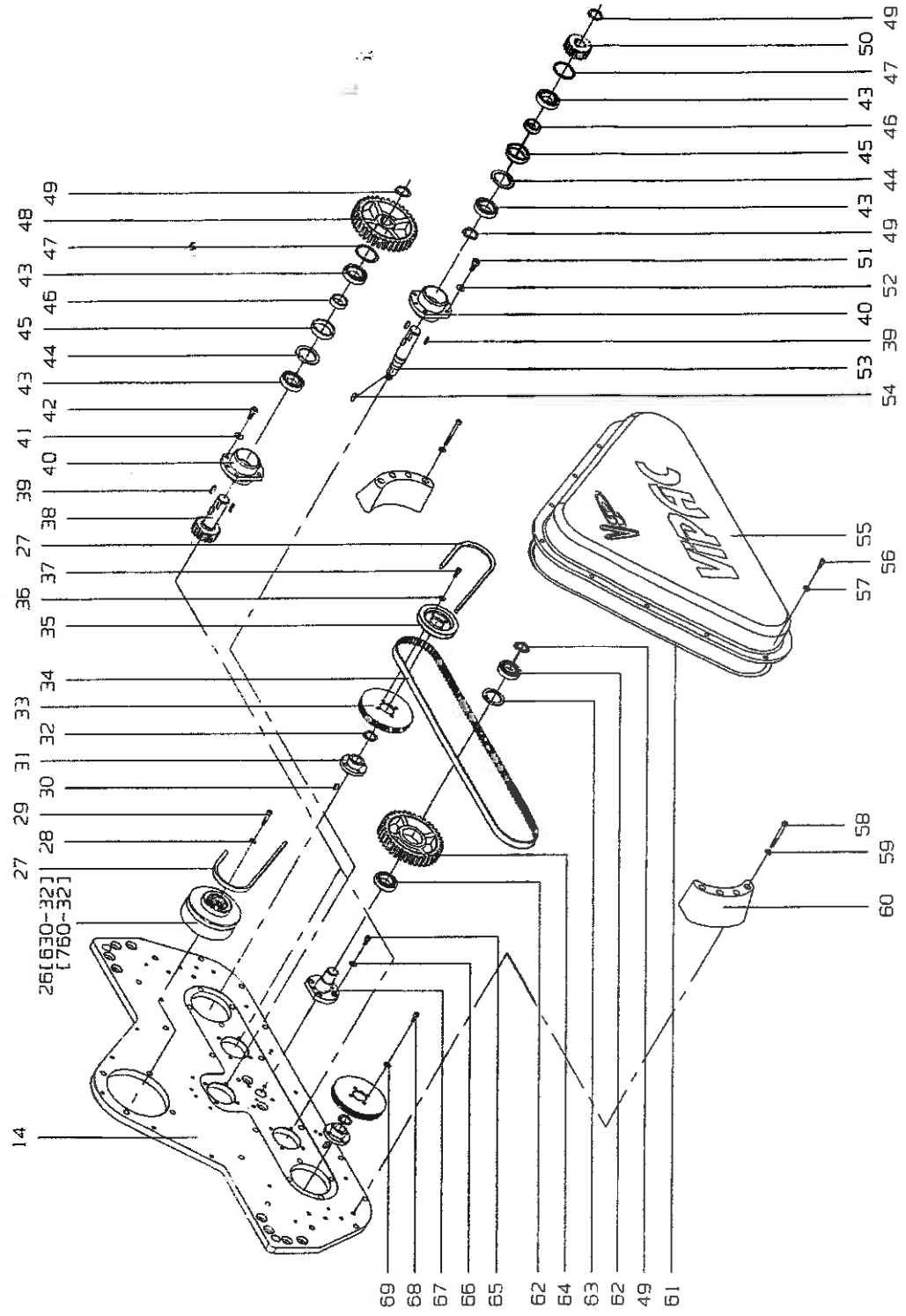
760 - 30 SIDEPLATE RIGHTHAND (Continued)



760 - 30**SIDEPLATE RIGHTHAND (Continued)**

760 - 30 - 26	Centrifugal Clutch Complete		V15650053
760 - 30 - 27	V Belt	1	V16312235
760 - 30 - 28	Schnorr Washer	1	V15531218
760 - 30 - 29	SHC Screw	1	V17231233
760 - 30 - 30	Fitting Key	2	V19181602
760 - 30 - 31	Hub	2	V21030501
760 - 30 - 32	Outer Circlip	2	V19211000
760 - 30 - 33	T Belt Pulley	2	V21030502
760 - 30 - 34	T Belt	1	V16324119
760 - 30 - 35	V Belt Pulley	1	V21030503
760 - 30 - 36	Schnorr Washer	4	V15530813
760 - 30 - 37	SHC Screw	4	V17230809
760 - 30 - 38	Pinion Shaft	2	V21030202
760 - 30 - 39	Fitting Key	9	V19181604
760 - 30 - 40	Bearing Housing	3	V21030201
760 - 30 - 41	Schnorr Washer	8	V15531016
760 - 30 - 42	SHC Screw	8	V17231013
760 - 30 - 43	Steep Angle Bearing	6	V15121006
760 - 30 - 44	Inner Circlip	3	V19223400
760 - 30 - 45	Ring	3	V21030206
760 - 30 - 46	Ring	3	V21030207
760 - 30 - 47	Nilos Ring	3	V15331242
760 - 30 - 48	Gear	2	V21030601

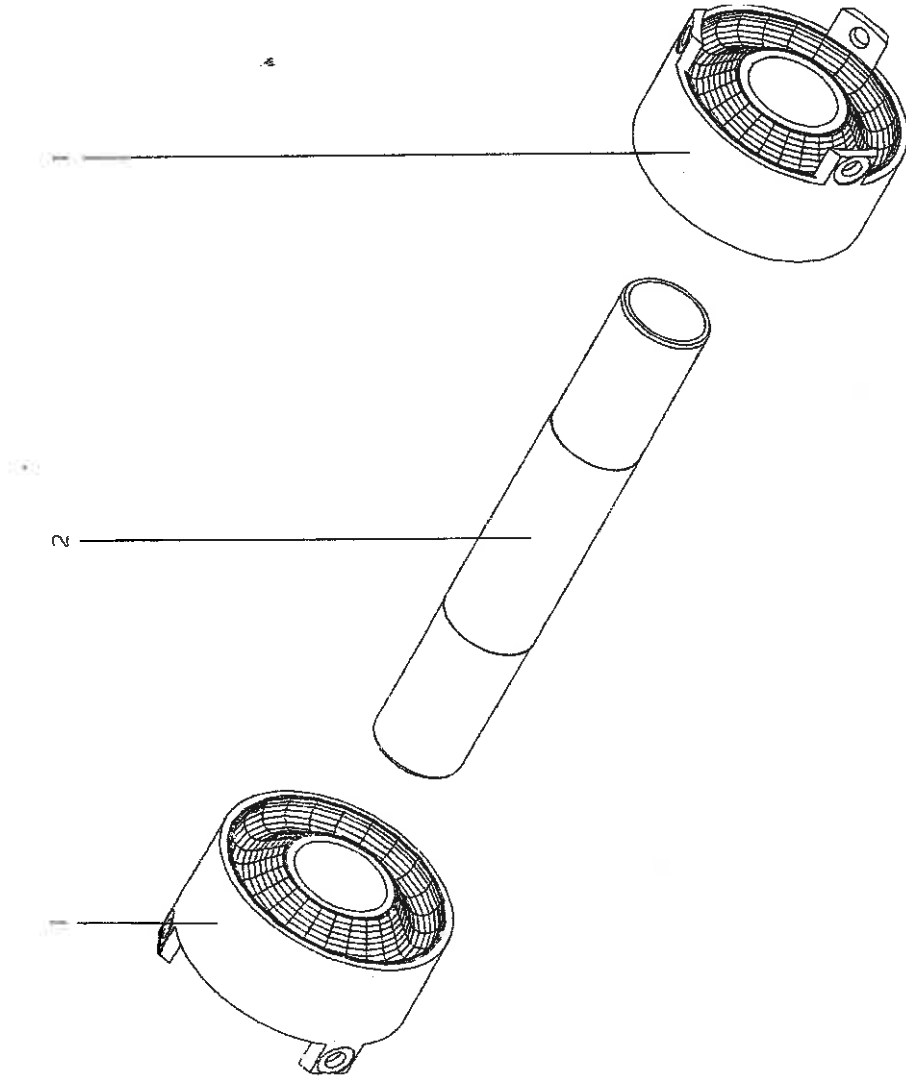
760 - 30 SIDEPLATE RIGHTHAND (Continued)



760 - 30 - 30**SIDEPLATE RIGHTHAND (Continued)**

760 - 30 - 49	Outer Circlip	5	V19211800
760 - 30 - 50	Gear	1	V21030603
760 - 30 - 51	SHC Screw	4	V17231025
760 - 30 - 52	Schnorr Washer	4	V15531016
760 - 30 - 53	Coupling Shaft	1	V21030303
760 - 30 - 54	Fitting Key	1	V19181704
760 - 30 - 55	Protection Box	1	V21030901
760 - 30 - 56	SHC Screw	14	V17231017
760 - 30 - 57	Schnorr Washer	14	V15531016
760 - 30 - 58	SHC Screw	8	V17231061
760 - 30 - 59	Schnorr Washer	8	V15531016
760 - 30 - 60	Bumper Bracket	2	V21030801
760 - 30 - 61	String	1	V16520048
760 - 30 - 62	Ball Bearing	2	V15113306
760 - 30 - 63	Inner Circlip	1	V19223300
760 - 30 - 64	Gear	1	V21030602
760 - 30 - 65	SHC Screw	4	V17231013
760 - 30 - 66	Schnorr Washer	4	V15531016
760 - 30 - 67	Axle	1	V21030402
760 - 30 - 68	SHC Screw	4	V17230801
760 - 30 - 69	Schnorr Washer	4	V15530813

760 - 31 DRIVE SHAFT

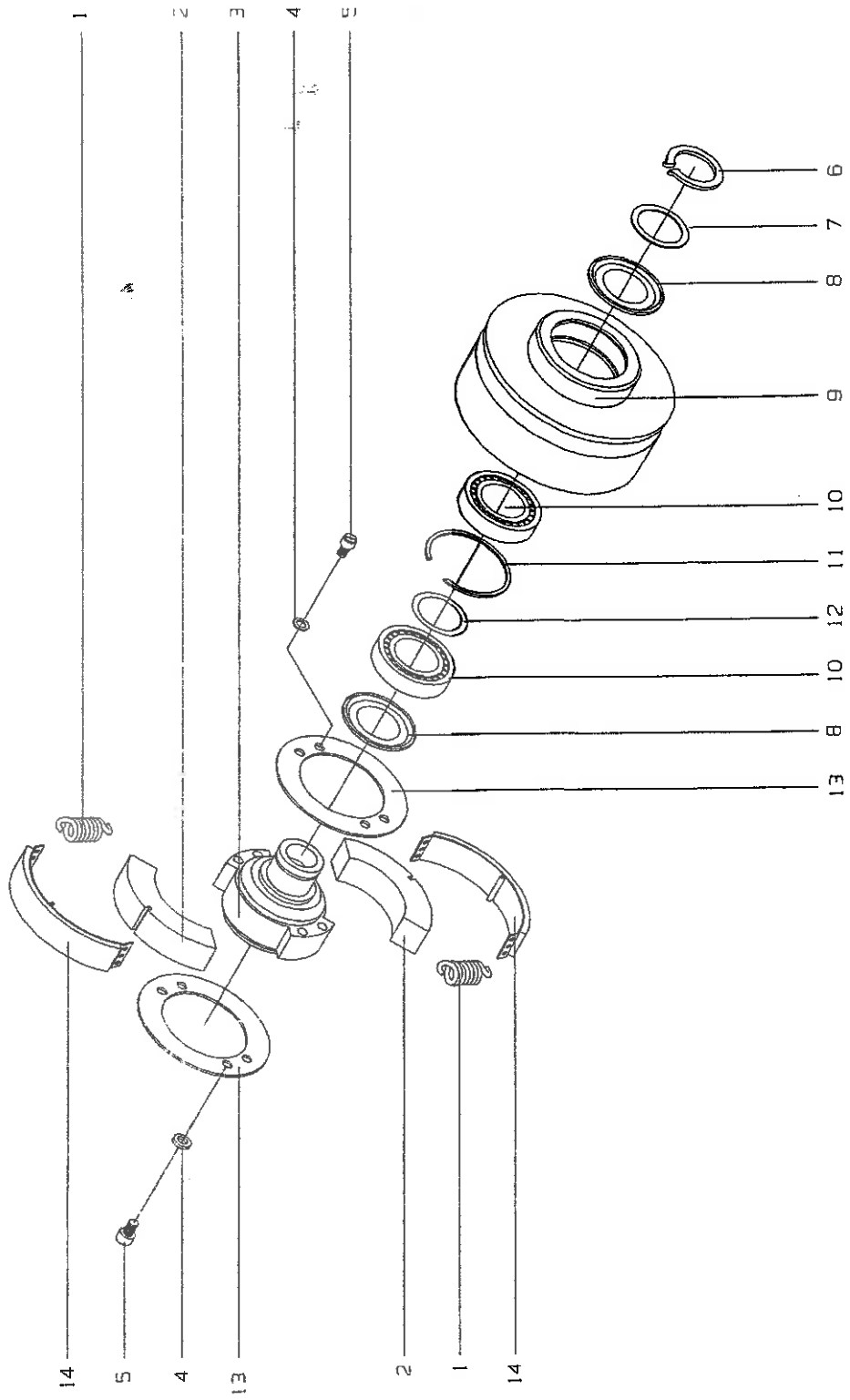


760 - 31

DRIVE SHAFT

760 - 31 - 1	Rubber Coupling	2	V21030607
760 - 31 - 2	Tube		V76030606

760 - 32 CENTRIFUGAL CLUTCH

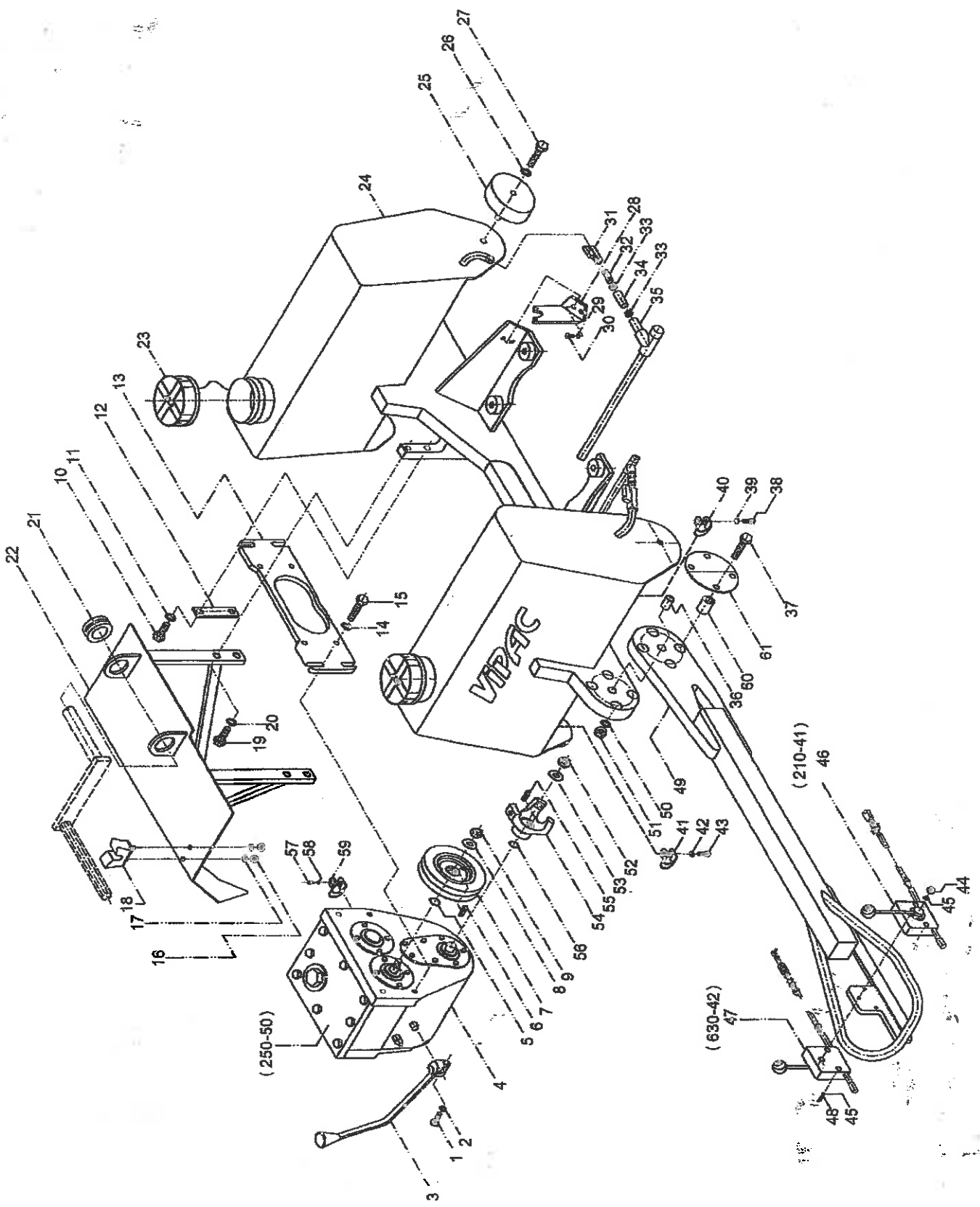


760 - 32**CENTRIFUGAL CLUTCH**

760 - 32 - 1	Spring	4	V15660326
760 - 32 - 2	Centrifugal Weight	2	V15660105
760 - 32 - 3	Hub	1	V15660405
760 - 32 - 4	Schnorr Washer	8	V15530610
760 - 32 - 5	Cheeseheaded Screw	8	V17210604
760 - 32 - 6	Outer Circlip	1	V19211800
760 - 32 - 7	Clamping Disc	1	V15660605
760 - 32 - 8	Nilos Ring	2	V15331242
760 - 32 - 9	V Belt Pulley	1	V15660505
760 - 32 - 10	Ball Bearing	2	V15114406
760 - 32 - 11	Inner Circlip	1	V19223400
760 - 32 - 12	Disc	2	V15521210
760 - 32 - 13	Lock Disc	2	V15660705
760 - 32 - 14	Lining Strap	2	V15660205
760 - 32 - 16	Repair Kit	1	V15650058

1) Included in Repair Kit

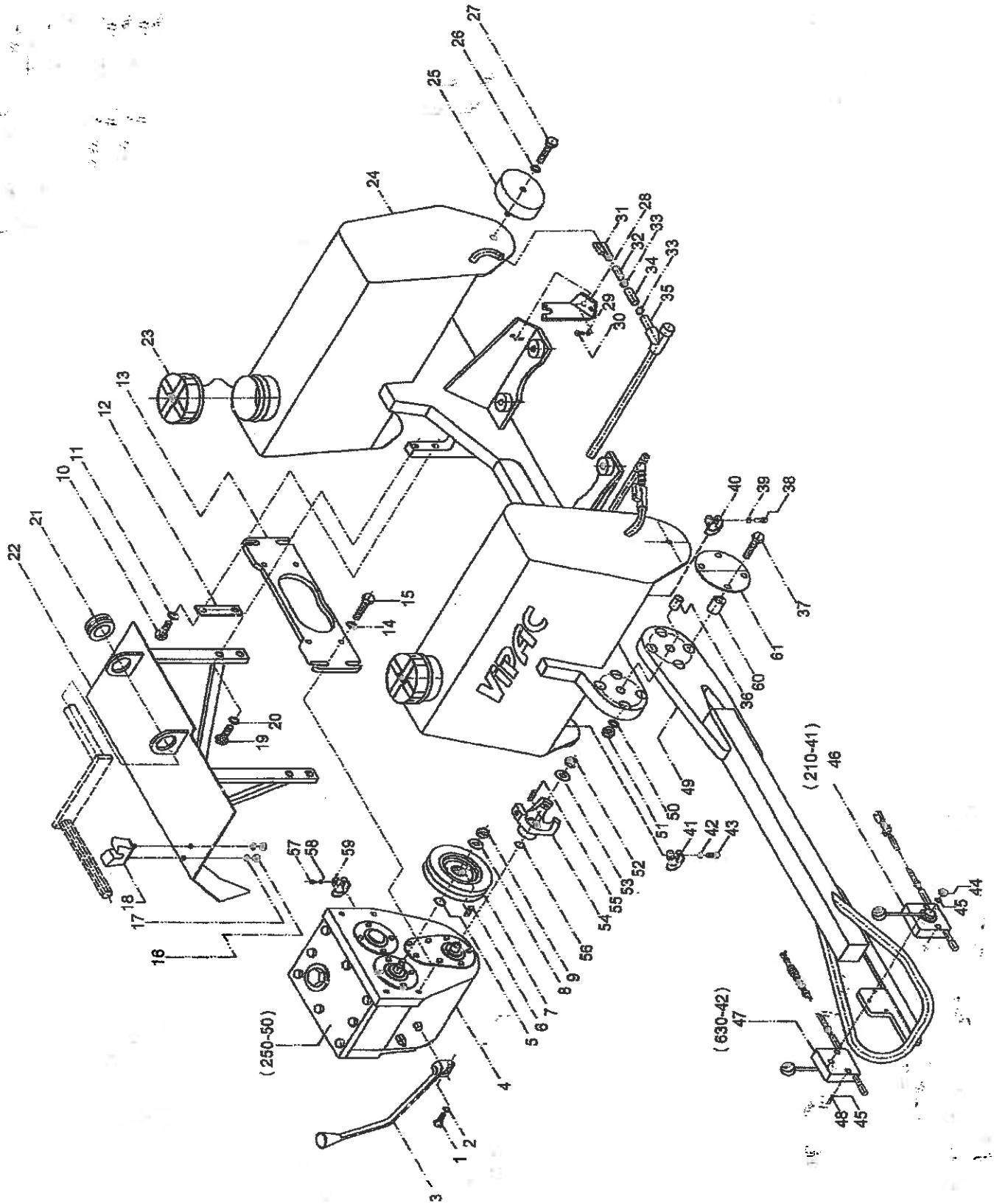
760 - 40 FRAME & GEARBOX



760 - 40**FRAME & GEARBOX**

760 - 40 - 1	Hex Bolt	1	V17141032
760 - 40 - 2	Schnorr Washer	1	V15531016
760 - 40 - 3	Gear Lever	1	V25050912
760 - 40 - 4	Gearbox Complete	1	V25050000
760 - 40 - 5	O Ring	1	V16220195
760 - 40 - 6	Fitting Key	1	V19181302
760 - 40 - 7	V Belt Pulley	1	V21050904
760 - 40 - 8	Disc	1	V18711324
760 - 40 - 9	Nylock Nut	1	V18131218
760 - 40 - 10	Hex Bolt	4	V17141236
760 - 40 - 11	Schnorr Washer	4	V15531218
760 - 40 - 12	Square Plate	2	V21060204
760 - 40 - 13	Gearunit Holder	1	V21060201
760 - 40 - 14	Schnorr Washer	4	V15531016
760 - 40 - 15	Hex Bolt	4	V17141016
760 - 40 - 16	Nylock Nut	2	V18130611
760 - 40 - 17	Schnorr Washer	2	V15530610
760 - 40 - 18	Clamping Device	1	V21081303
760 - 40 - 19	Hex Bolt	4	V17141224
760 - 40 - 20	Schnorr Washer	4	V15531218
760 - 40 - 21	Grommet	2	V21045402
760 - 40 - 22	Guide Cover	1	V21081300
760 - 40 - 23	Rubber Cap	2	V21092605
760 - 40 - 24	Frame	1	V76040901
760 - 40 - 25	Rubber Buffer	4	V16128813

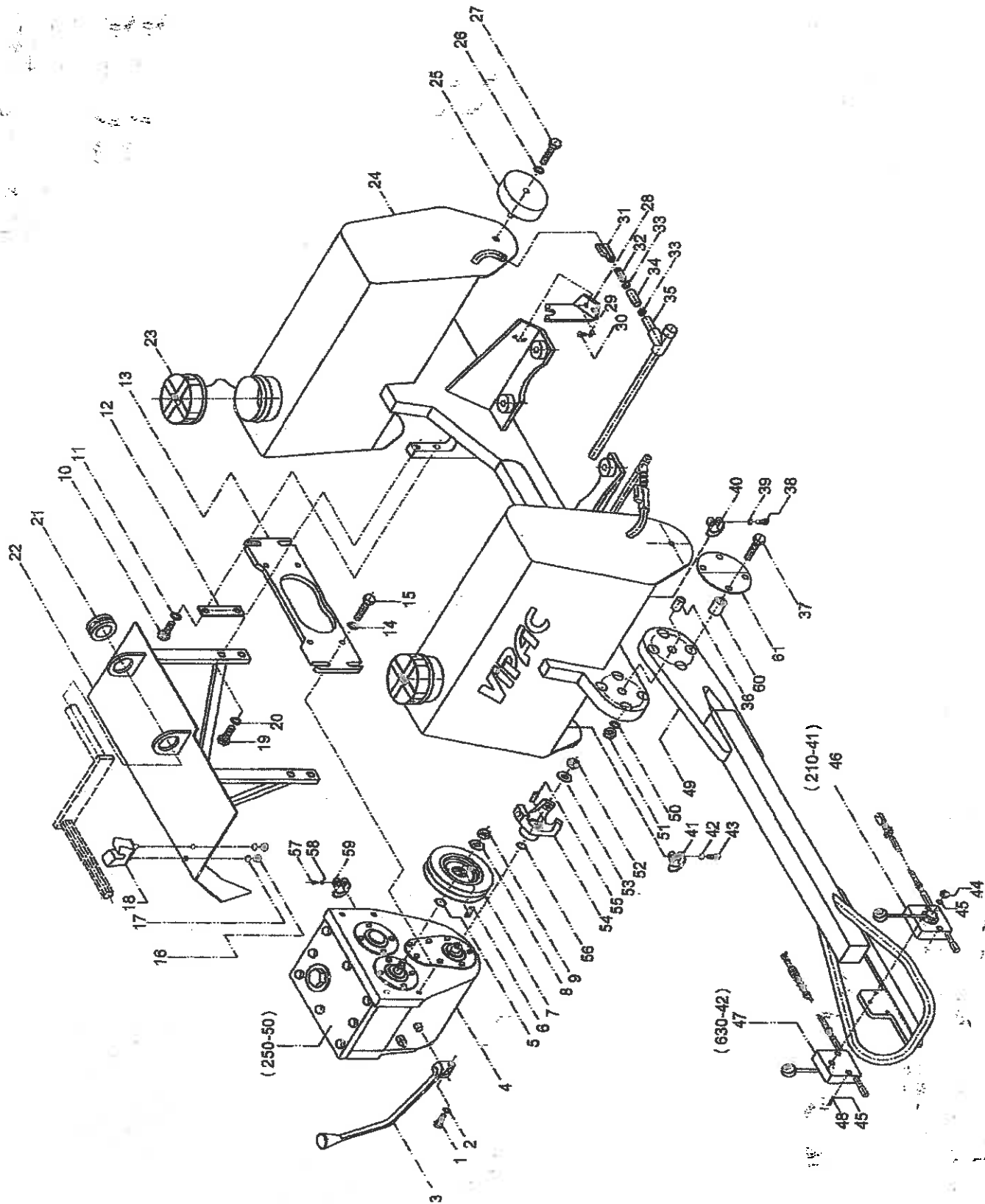
760 - 40 FRAME & GEARBOX



760 - 40**FRAME & GEARBOX**

760 - 40 - 26	Disc	4	V18591740
760 - 40 - 27	Hex Bolt	4	V17141636
760 - 40 - 28	Support	1	V21090105
760 - 40 - 29	Schnorr Washer	2	V15530813
760 - 40 - 30	Hex Bolt	2	V17140824
760 - 40 - 31	Water Tap	2	V19510005
760 - 40 - 32	Nipple	2	V19510006
760 - 40 - 33	Hose Clamp	4	V15551409
760 - 40 - 34	Hose	2	V19510007
760 - 40 - 35	Nozzle Tube	2	V76040703
760 - 40 - 36	Tightening Sleeve	1	V19151813
760 - 40 - 37	Hex Bolt	4	V17131240
760 - 40 - 38	Hex Bolt	1	V17140620
760 - 40 - 39	Schnorr Washer	1	V15530610
760 - 40 - 40	Tube Clip	1	V15551901
760 - 40 - 41	Tube Clip	1	V15551908
760 - 40 - 42	Schnorr Washer	1	V15530813
760 - 40 - 43	Hex Bolt	1	V17140816
760 - 40 - 44	Nylock Nut	3	V18130611
760 - 40 - 45	Flat Washer	6	V18510612
760 - 40 - 46	Drive Control Complete	1	V21060610
760 - 40 - 47	Gas Control Complete	1	V76060620
760 - 40 - 48	Hex Bolt	3	V17130656

760 - 40 FRAME & GEARBOX



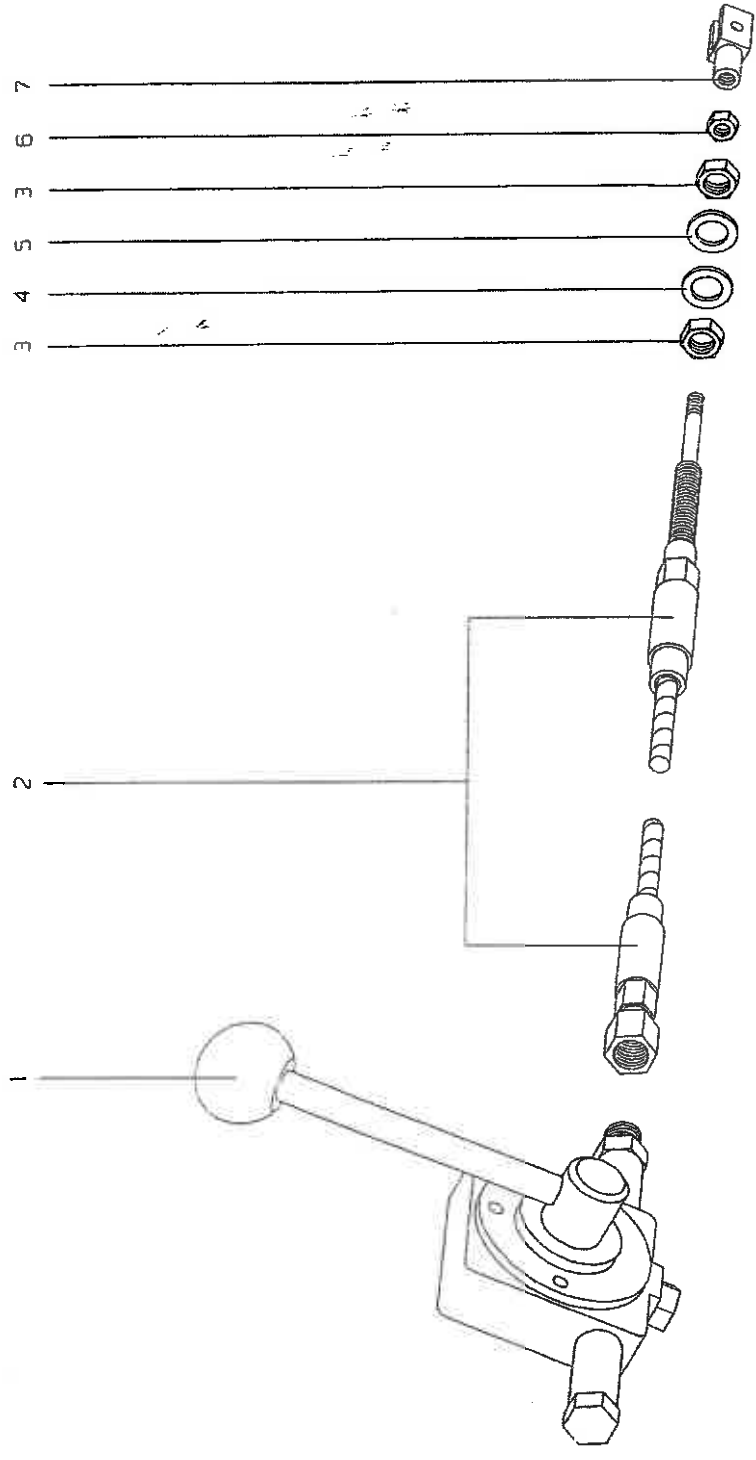
760 - 40**FRAME & GEARBOX**

760 - 40 - 49	Steering Rod	1	V21060406
760 - 40 - 49	Steering Rod	1	V21060450
760 - 40 - 50	Disc	4	V18752130
760 - 40 - 51	Nylock Nut	4	V18131218
760 - 40 - 52	Safety Nut	1	V18181161
760 - 40 - 53	Disc	1	V18711730
760 - 40 - 54	Coupling Flange	1	V21050901
760 - 40 - 55	Fitting Key	1	V19181702
760 - 40 - 56	O ring	1	V16220254
760 - 40 - 57	Hex Bolt	1	V17140816
760 - 40 - 58	Schnorr Washer	1	V15530813
760 - 40 - 59	Tube Clip	1	V15551908
760 - 40 - 60	Rubber Bush	4	V21040203
760 - 40 - 61	Disc	1	V21060408

1)

1) For Safety Handle Refer 760 - 43

210 - 41 DRIVE CONTROL

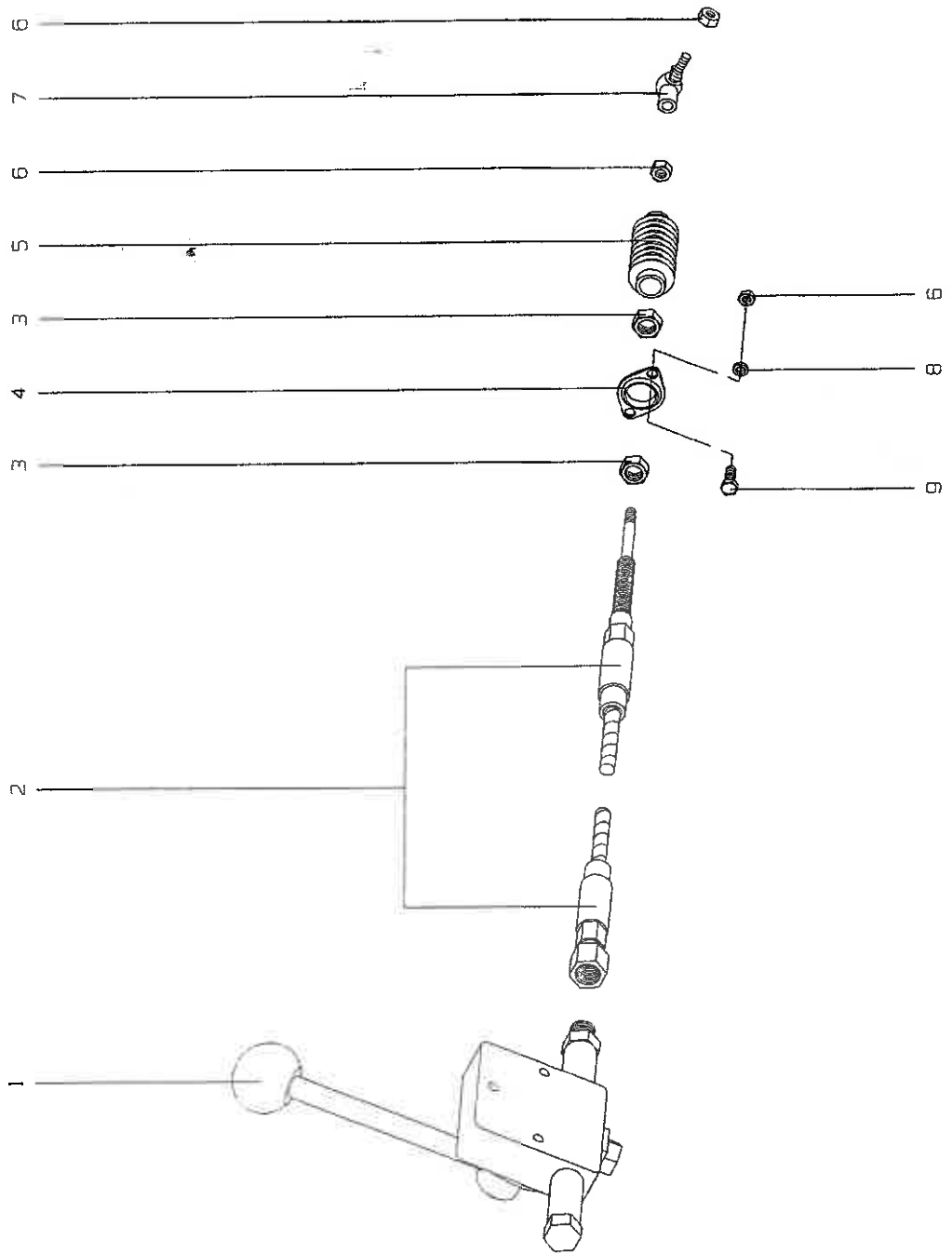


210 - 41

DRIVE CONTROL

210 - 41 - 1	Control Box D/C	1	V21068421
210 - 41 - 2	Actuation D/C	1	V21068022
210 - 41 - 3	Hex Nut	2	V18121210
210 - 41 - 4	Schnorr Washer	1	V15531218
210 - 41 - 5	Usit Ring	1	V16211218
210 - 41 - 6	Hex Nut	1	V18110610
210 - 41 - 7	Fork Joint	1	V15566900

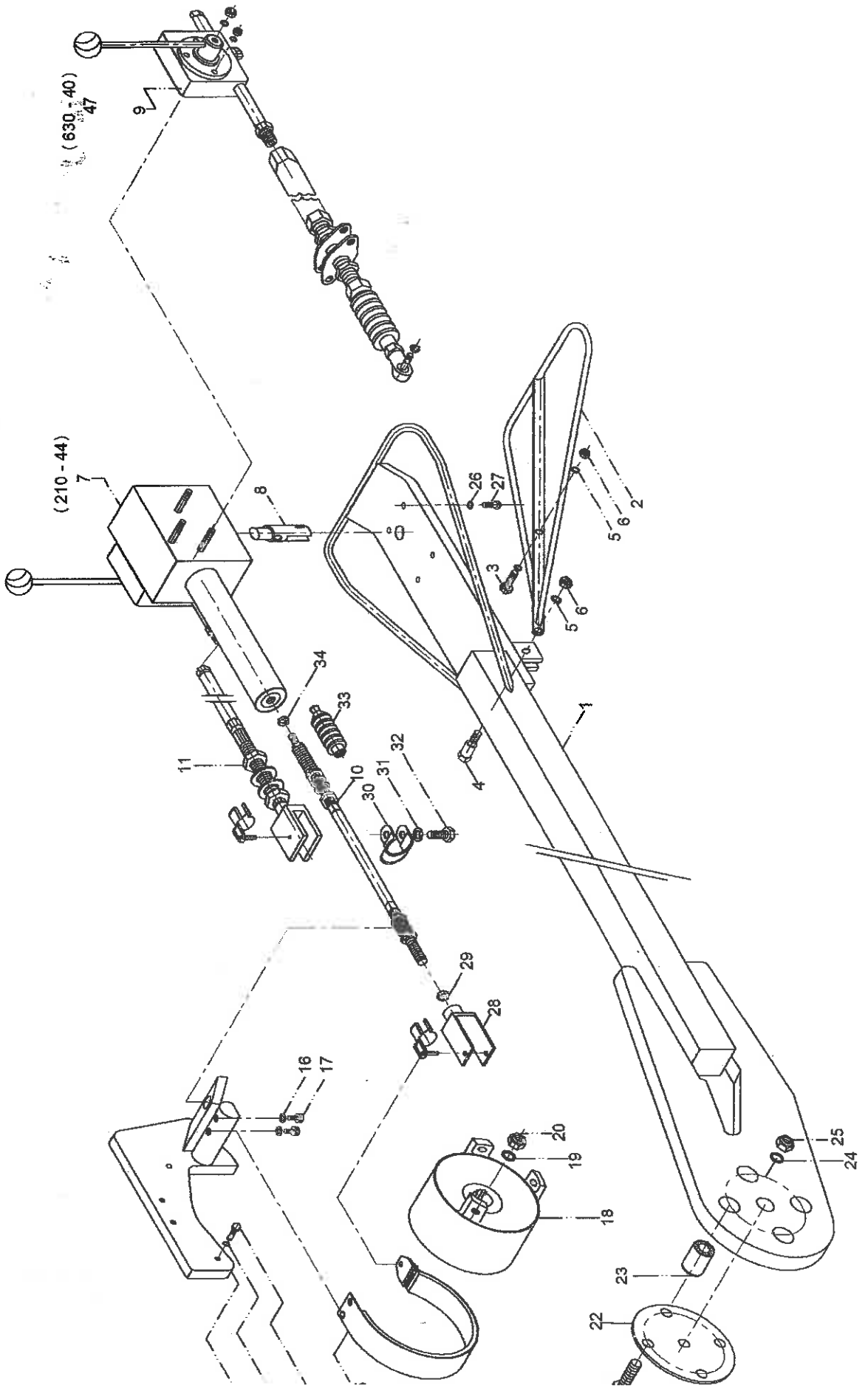
760 - 42 GAS CONTROL



760 - 42**GAS CONTROL**

760 - 42 - 1	Control Box G/C	1	V21068411
760 - 42 - 2	Actuation G/C		V76068014
760 - 42 - 3	Hex Nut	2	V15568382
760 - 42 - 4	Ball Joint	1	V15568750
760 - 42 - 5	Concertina Wall	1	V15568850
760 - 42 - 6	Hex Nut	4	V18110508
760 - 42 - 7	Angular Joint	1	V19812100
760 - 42 - 8	Spring Washer	2	V18530509
760 - 42 - 9	Hex Bolt	2	V17140524

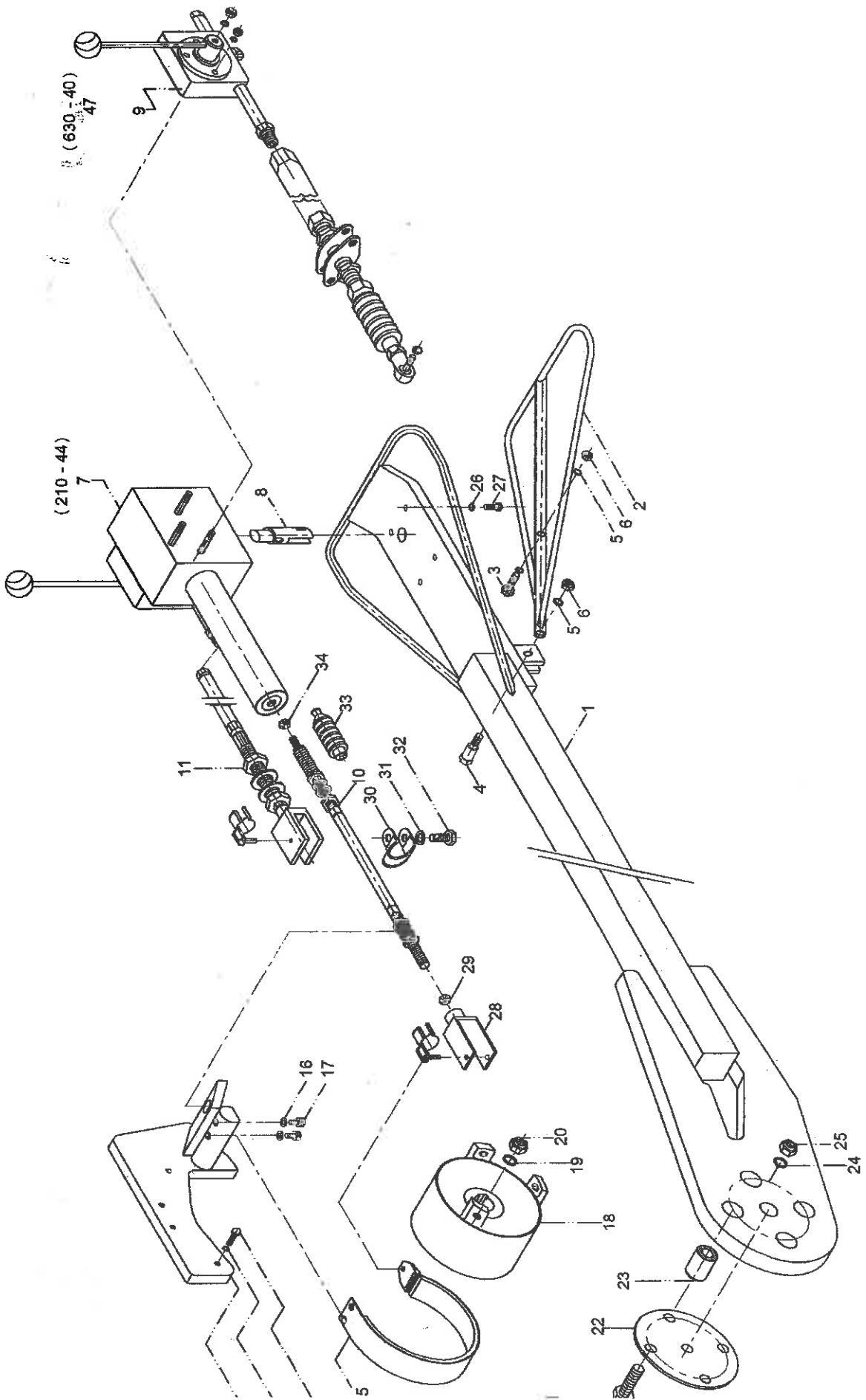
210 - 43 SAFETY HANDLE



210 - 43**SAFETY HANDLE**

210 - 43 - 1	Steering Rod	1	V21060453
210 - 43 - 2	Safety Bend	1	V21060455
210 - 43 - 3	Hex Bolt	1	V17140844
210 - 43 - 4	Distance Bolt	1	V21060458
210 - 43 - 5	Flat Washer	2	V18510817
210 - 43 - 6	Nylock Nut	2	V18130813
210 - 43 - 7	Safety Control Complete	1	V21068510
210 - 43 - 8	Gudgeon Pin	1	V21068428
210 - 43 - 9	Gas Control Complete	1	V76060620
210 - 43 - 10	Brake Cable Complete	1	V21069026
210 - 43 - 11	Drive Clutch Actuation	1	V21068022
210 - 43 - 12	Bracket	1	V21070904
210 - 43 - 13	Schnorr Washer	4	V15530813
210 - 43 - 14	Hex Bolt	4	V17140824
210 - 43 - 15	Brake Band	1	V21070901
210 - 43 - 16	Schnorr Washer	2	V15530610
210 - 43 - 17	SHC Screw	2	V17230601
210 - 43 - 18	Coupling Flange	1	V21030604
210 - 43 - 19	Flat Washer	1	V18511730
210 - 43 - 20	Safety Nut	1	V18181161
210 - 43 - 21	Hex Bolt	4	V17131240
210 - 43 - 22	Disc	1	V21060403

210 - 43 SAFETY HANDLE



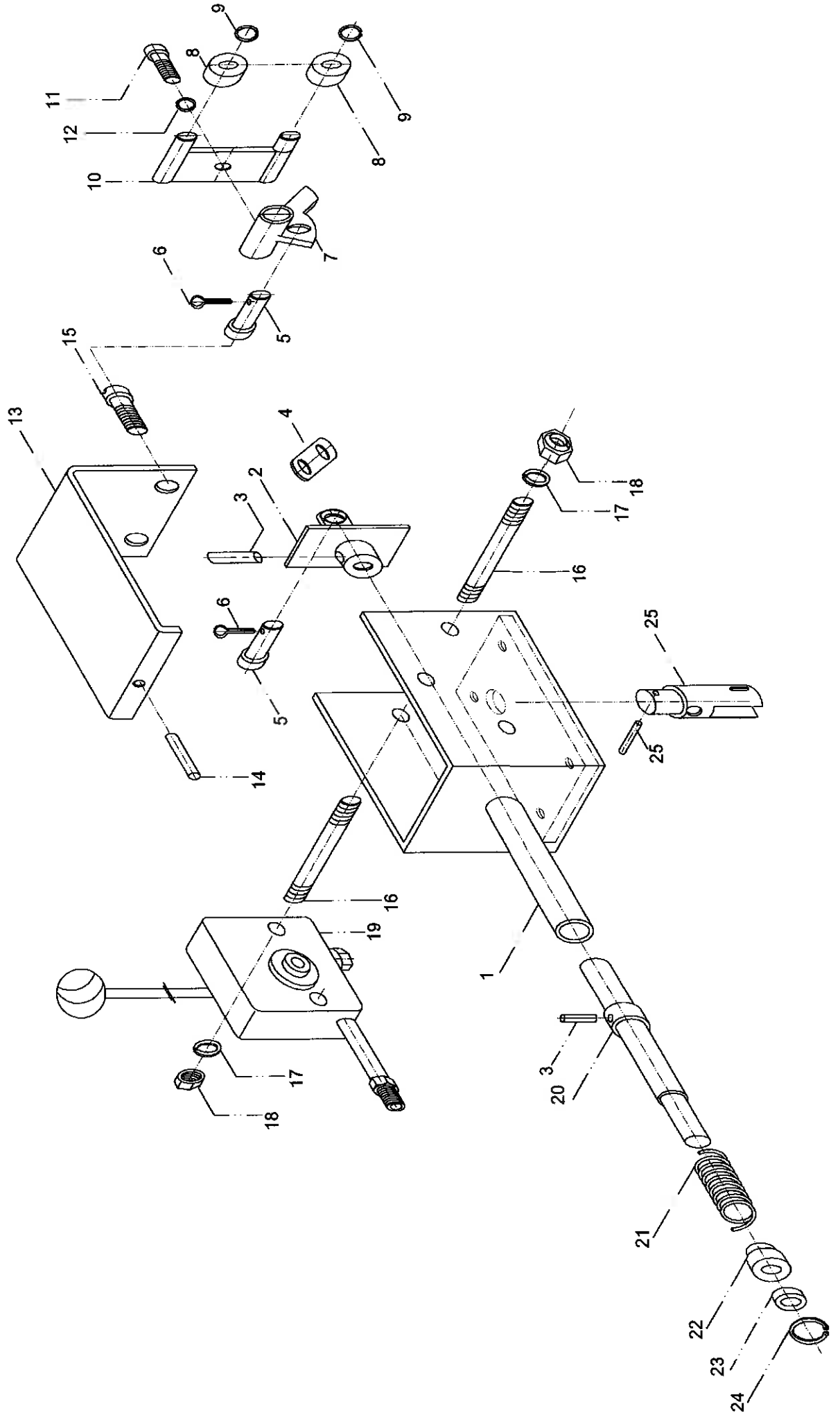
210 - 43

SAFETY HANDLE

210 - 43 - 23	Rubber Bush	4	V21040203
210 - 43 - 24	Schnorr Washer	4	V15531218
210 - 43 - 25	Nylock Nut	4	V18131218
210 - 43 - 26	Flat Washer	4	V18510817
210 - 43 - 27	Hex Bolt	4	V17140816
210 - 43 - 28	Fork Joint	1	V15566900
210 - 43 - 29	Hex Nut	1	V18110610
210 - 43 - 30	Tube Clip	1	V15551901
210 - 43 - 31	Schnorr Washer	1	V15530610
210 - 43 - 32	Hex Bolt	1	V17140632
219 - 43 - 33	Hex Nut	1	V18111015

1) For Machines fitted with Fieldmarshal
Engine

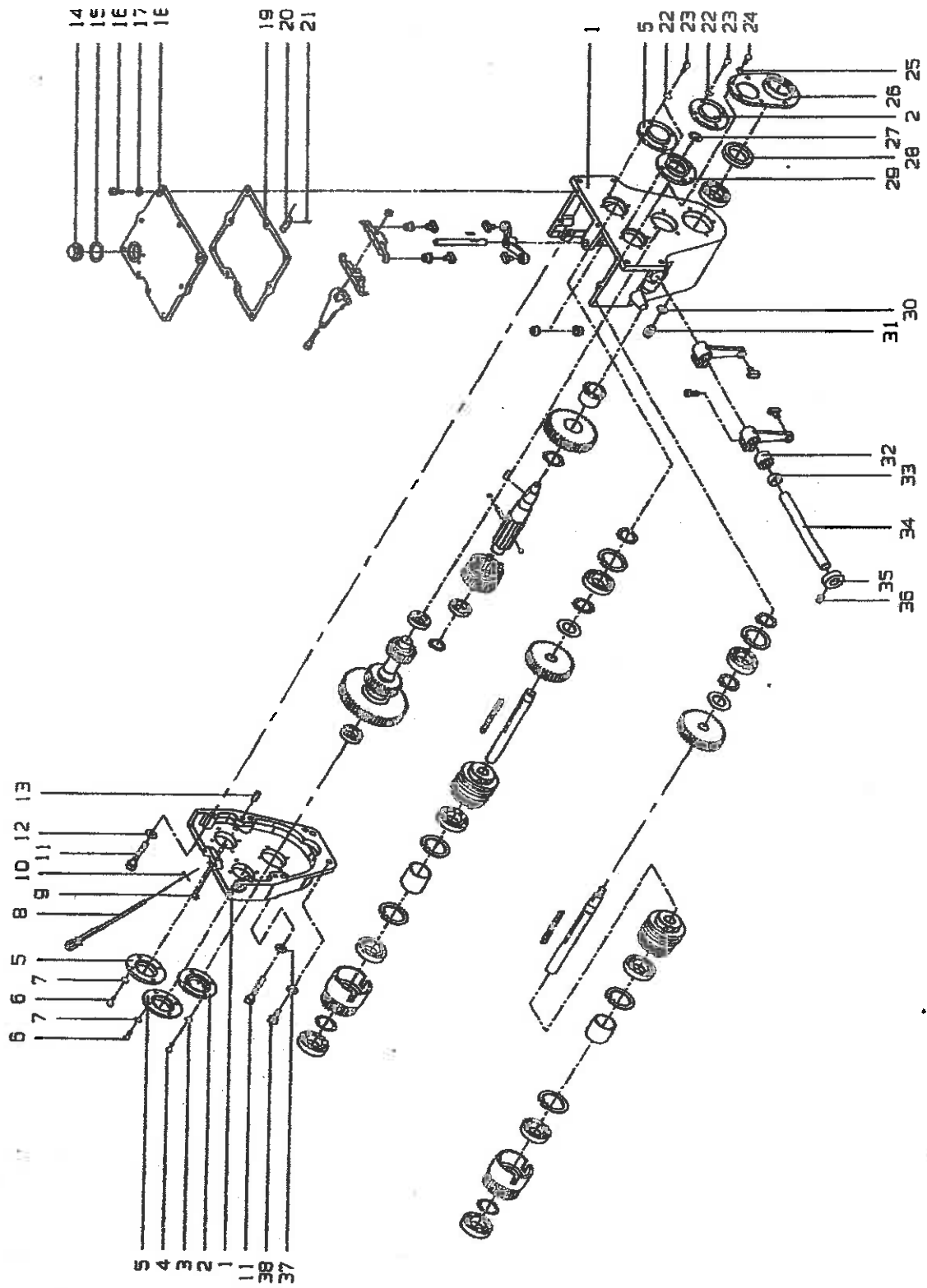
210 - 44 SAFETY CONTROL



210 - 44**SAFETY CONTROL**

210 - 44 - 1	Housing	1	V21058518
210 - 44 - 2	Tappet	1	V21058510
210 - 44 - 3	Dowel Pin	2	V19150813
210 - 44 - 4	Link	1	V21058519
210 - 44 - 5	Pin	2	V19852086
210 - 44 - 6	Split Pin	2	V19170204
210 - 44 - 7	Lock	1	V21058520
210 - 44 - 8	Roller	2	V21058509
210 - 44 - 9	Outer Circlip	2	V19210300
210 - 44 - 10	Support	1	V21058522
210 - 44 - 11	SHC Screw	1	V17230817
210 - 44 - 12	Schnorr Washer	1	V15530813
210 - 44 - 13	Cover Plate	1	V21058512
210 - 44 - 14	Dowel Pin	1	V19138400
210 - 44 - 15	Cheese Head Screw	2	V17210416
210 - 44 - 16	Stud	5	V21058511
210 - 44 - 17	Schnorr Washer	5	V15530610
210 - 44 - 18	Nylock Nut	5	V18130611
210 - 44 - 19	Control Box D/C	1	V21068426
210 - 44 - 20	Shaft with Collar	1	V21058517
210 - 44 - 21	Pressure Spring	1	V21058621
210 - 44 - 22	Ring	1	V21058513
210 - 44 - 23	Oil Seal	1	V19311231
210 - 44 - 24	Inner Circlip	1	V19222100
210 - 44 - 25	Gudgeon	1	V21068428
210 - 44 - 26	Tightening Sleeve	1	V19150417

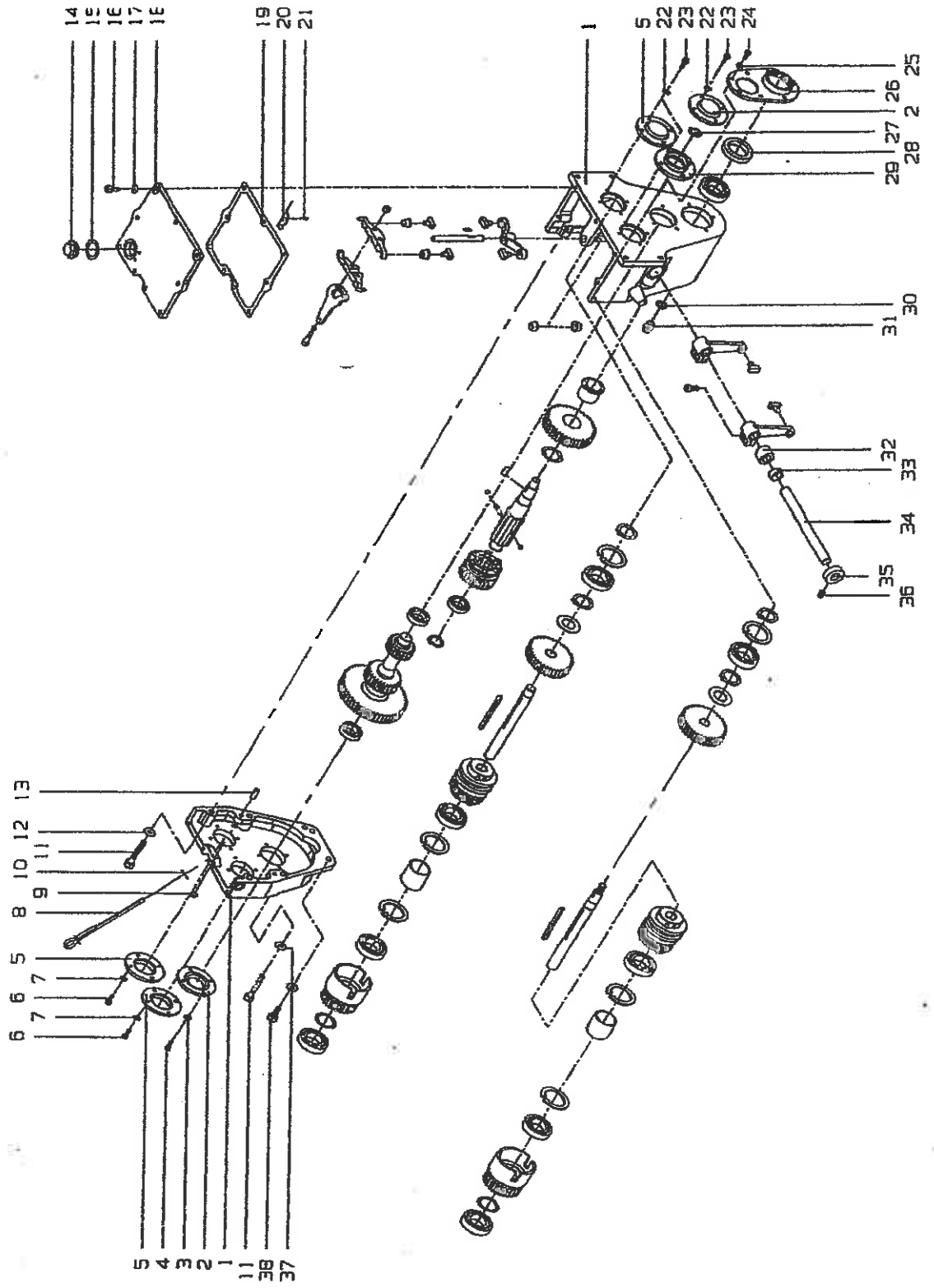
250 - 50 GEARBOX



250 - 50 - 50**GEARBOX**

250 - 50 - 1	Gearbox Housing Complete	1	V25050200
250 - 50 - 2	Gearbox Housing Complete	1	V25050220
250 - 50 - 2	Bearing Cover	2	V25050404
250 - 50 - 3	Schnorr Washer	4	V15530610
250 - 50 - 4	Hex Bolt	4	V17140624
250 - 50 - 5	Bearing Cover	3	V25050506
250 - 50 - 6	Hex Bolt	8	V17140624
250 - 50 - 7	Schnorr Washer	8	V15530610
250 - 50 - 8	Oil Dipstick	1	V25050803
250 - 50 - 8	Oil Dipstick	1	V25050235
250 - 50 - 9	Washer	2	V18520014
250 - 50 - 10	V Ring	1	V16235006
250 - 50 - 10	O Ring	2	V16220091
250 - 50 - 11	Hex Bolt	4	V17131028
250 - 50 - 12	Schnorr Washer	4	V15531016
250 - 50 - 13	Notched Fitting Pin	2	V19130804
250 - 50 - 14	Screw Plug	1	V21050306
250 - 50 - 15	Usit Ring	1	V16213139
250 - 50 - 16	Hex Bolt	9	V17140824
250 - 50 - 17	Schnorr Washer	9	V15530813
250 - 50 - 18	Tap Cover	1	V25050801
250 - 50 - 19	Gasket	1	V25050802

250 - 50 GEARBOX



250 - 50**GEARBOX**

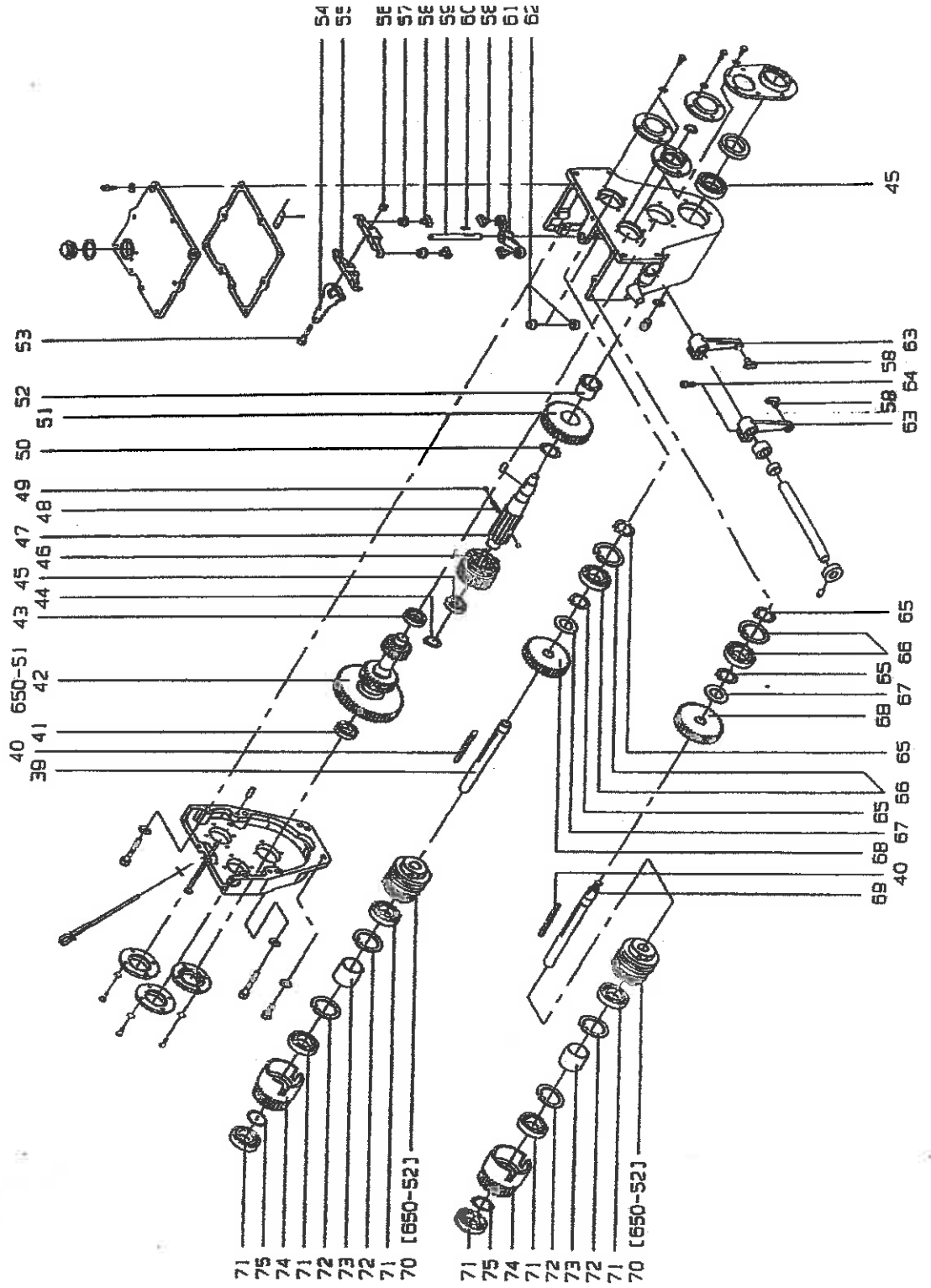
250 - 50 - 20	Plate	1	V25050805
250 - 50 - 21	Rivet	2	V19915349
250 - 50 - 22	Schnorr Washer	8	V15530610
250 - 50 - 23	Hex Bolt	8	V17140624
250 - 50 - 24	Hex Bolt	7	V17140624
250 - 50 - 25	Schnorr Washer	7	V15530610
250 - 50 - 26	Bearing Cover	1	V25050403
250 - 50 - 27	Oil Seal	1	V19311911
250 - 50 - 28	Oil Seal	1	V19312403
250 - 50 - 29	Bearing Cover	1	V25050602
250 - 50 - 30	Usit Ring	1	V16211422
250 - 50 - 31	Screw Plug	1	V17631415
250 - 50 - 32	Bush	2	V25050102
250 - 50 - 33	Oil Seal	2	V19311211
250 - 50 - 34	Shaft	1	V25050712
250 - 50 - 35	Set Collar	2	V25050713
250 - 50 - 36	Threaded Pin	2	V17760804
250 - 50 - 37	Usit Ring	4	V16211018
250 - 50 - 38	Hex Bolt	2	V17141024

1) Part of V25050200 / V25050220

2) Up to Gearbox S/N 250 - 0365

3) From Gearbox S/N 250 - 0366

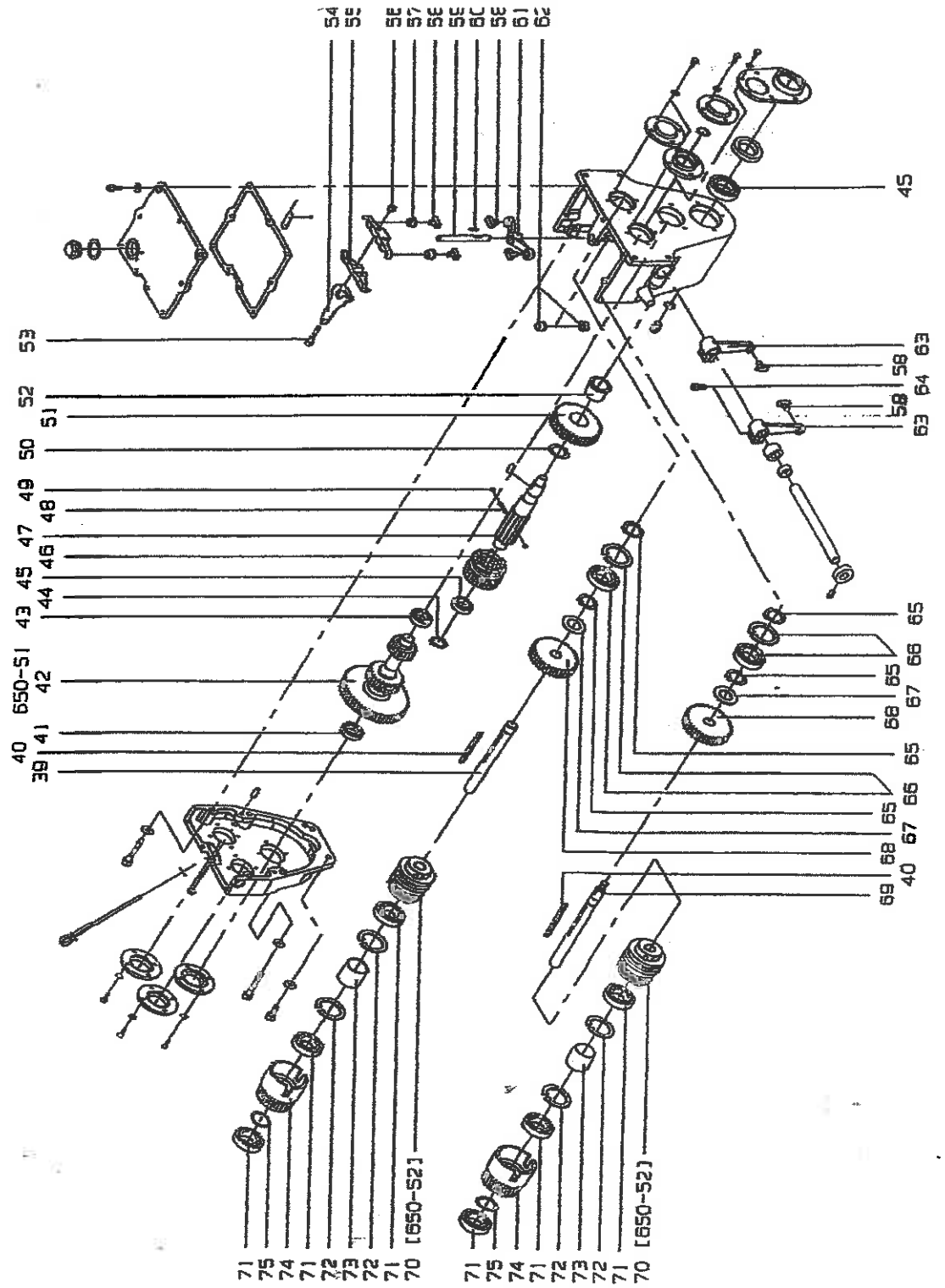
250 - 50 GEARBOX (Continued)



250 - 50**GEARBOX (Continued)**

250 - 50 - 39	Clutch Shaft	1	V25050507
250 - 50 - 40	Fitting Key	2	V19181218
250 - 50 - 41	Clutch Shaft	1	V15114005
250 - 50 - 42	Pinion Shaft Complete	1	V25050407
250 - 50 - 43	Cyl Roller Bearing	1	V15222230
250 - 50 - 44	Outer Circlip	1	V19211300
250 - 50 - 45	Ball Bearing	2	V15115005
250 - 50 - 46	Sliding Gear	1	V25050302
250 - 50 - 47	Splined Shaft	1	V25050301
250 - 50 - 48	Spring	1	V25052504
250 - 50 - 49	Ball	2	V15340080
250 - 50 - 50	Supp Disc	1	V15521225
250 - 50 - 51	Dog Clutch	1	V25051300
250 - 50 - 52	Bush for Dog Clutch	1	V25051302
250 - 50 - 53	SHC Screw	2	V17230829
250 - 50 - 54	Lever	1	V25050708
250 - 50 - 55	Lever	1	V25050706
250 - 50 - 56	Nylock Nut	2	V18130813
250 - 50 - 57	Collar Bush	2	V25050707
250 - 50 - 58	Sliding Block	6	V25050703
250 - 50 - 59	Shaft	1	V25050705
250 - 50 - 60	Fitting Key	1	V19180405
250 - 50 - 61	Clutch Lever	1	V25050704

250 - 50 GEARBOX (Continued)

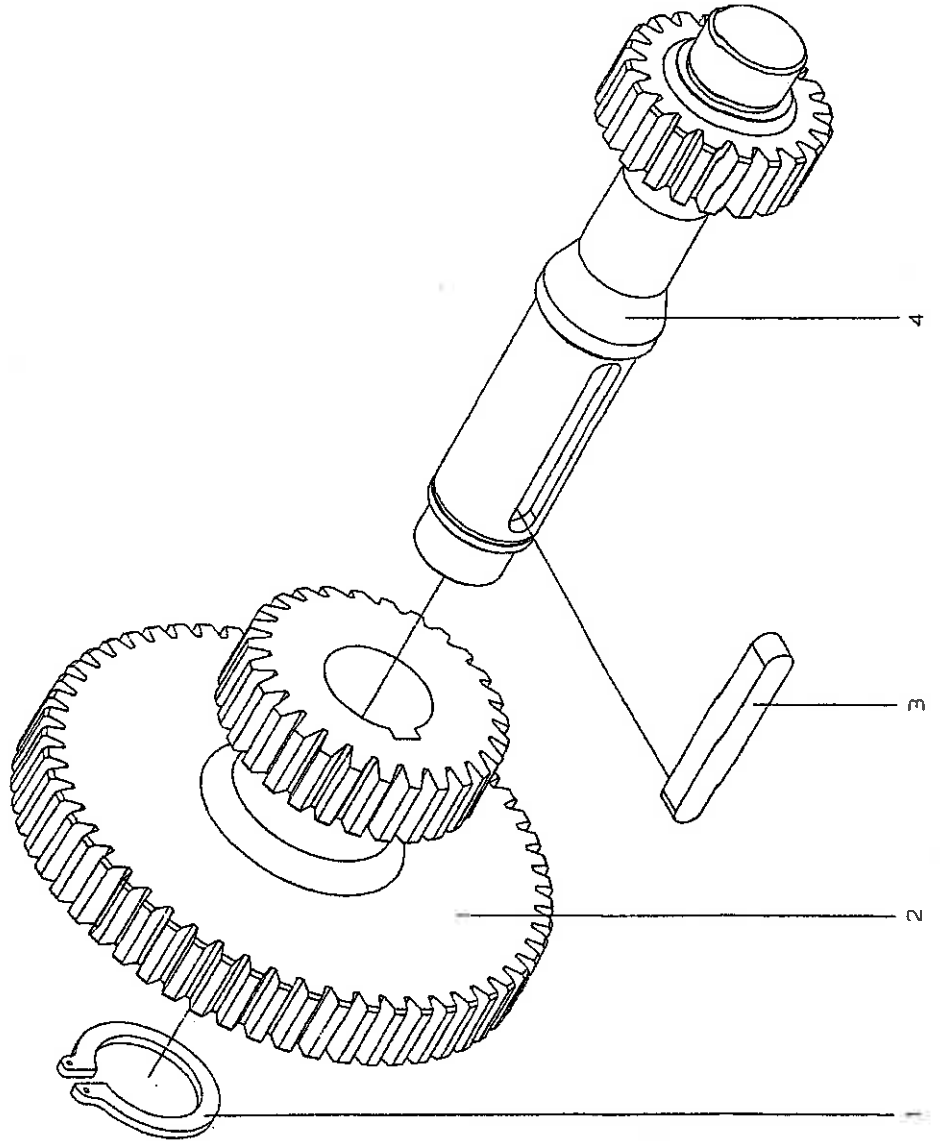


GEARBOX (Continued)

250 - 50

250 - 50 - 62	Bush	2	V25050103
250 - 50 - 63	Gearshift Lever	2	V25050715
250 - 50 - 64	SHC Screw	4	V17230809
250 - 50 - 65	Outer Circlip	4	V19210800
250 - 50 - 66	Ball Bearing	2	V15114204
250 - 50 - 67	Supp Disc	2	V25050508
250 - 50 - 68	Gear	2	V25050505
250 - 50 - 69	Clutch Shaft	1	V25050603
250 - 50 - 70	Disc Clutch Complete	2	V15522100
250 - 50 - 71	Ball Bearing	6	V15114004
250 - 50 - 72	Inner Circlip	4	V19222500
250 - 50 - 73	Distance Ring	2	V25050504
250 - 50 - 74	Clutch Housing	2	V25050503
250 - 50 - 75	Supp Disc	2	V15520620

250 - 51 PINION SHAFT

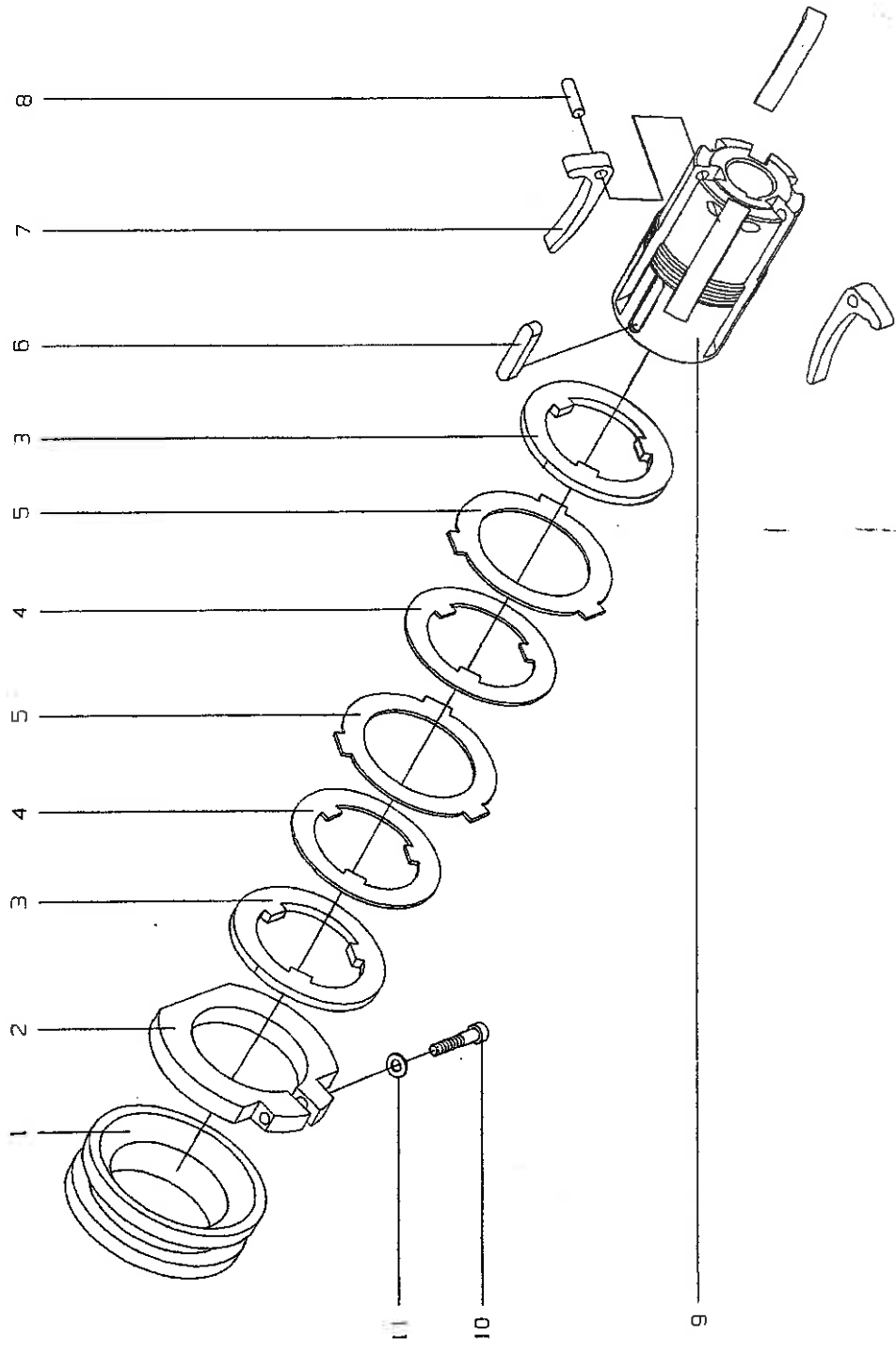


760 - 51

PINION SHAFT

760 - 51 - 1	Outer Circlip	1	V19211800
760 - 51 - 2	Double Gear	1	V25050402
760 - 51 - 3	Fitting Key	1	V19181612
760 - 51 - 4	Pinion Shaft	1	V25050401

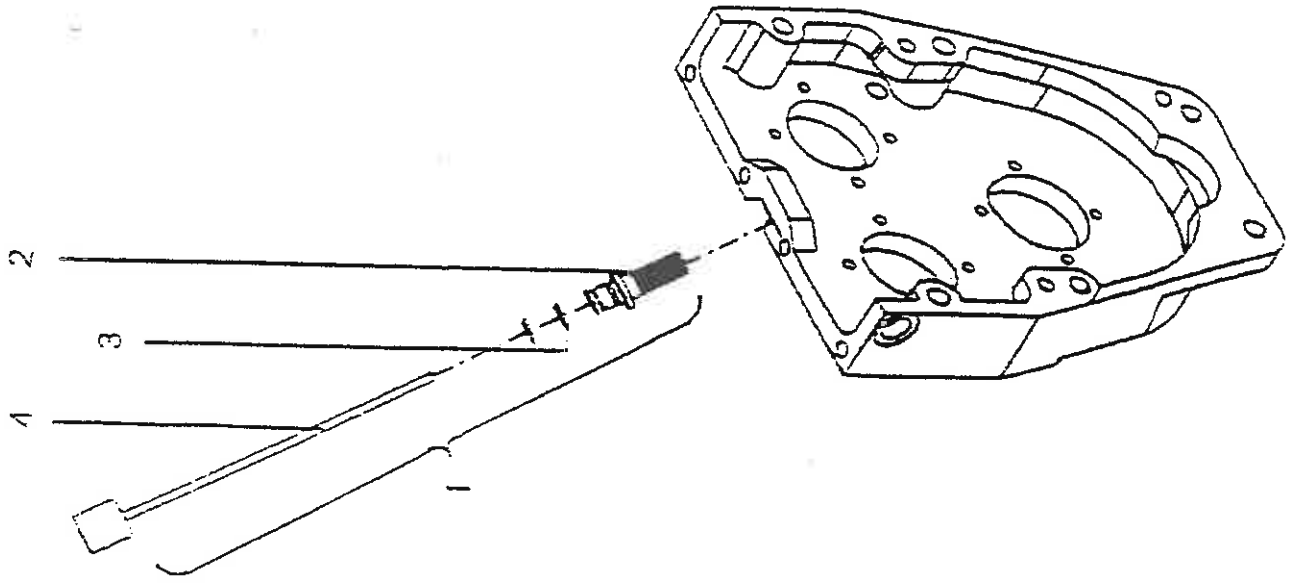
250 - 52 DISC CLUTCH



250 - 52 - 52**DISC CLUTCH**

250 - 52 - 1	Sliding Ring	1	V15632011
250 - 52 - 2	Tightening Nut	1	V15631110
250 - 52 - 3	Thrust Disc	2	V15635010
250 - 52 - 4	Inner Disc	6	V15634011
250 - 52 - 5	Outer Disc	6	V15633011
250 - 52 - 6	Fitting Key	1	V19181208
250 - 52 - 7	Lever	3	V15636020
250 - 52 - 8	Lever Pin	3	V15637020
250 - 52 - 9	Disc Support	1	V15630011
250 - 52 - 10	SHC Screw	1	V17230525
250 - 52 - 11	Schnorr Washer	1	V15530509

250 - 53 DIPSTICK MODIFICATION

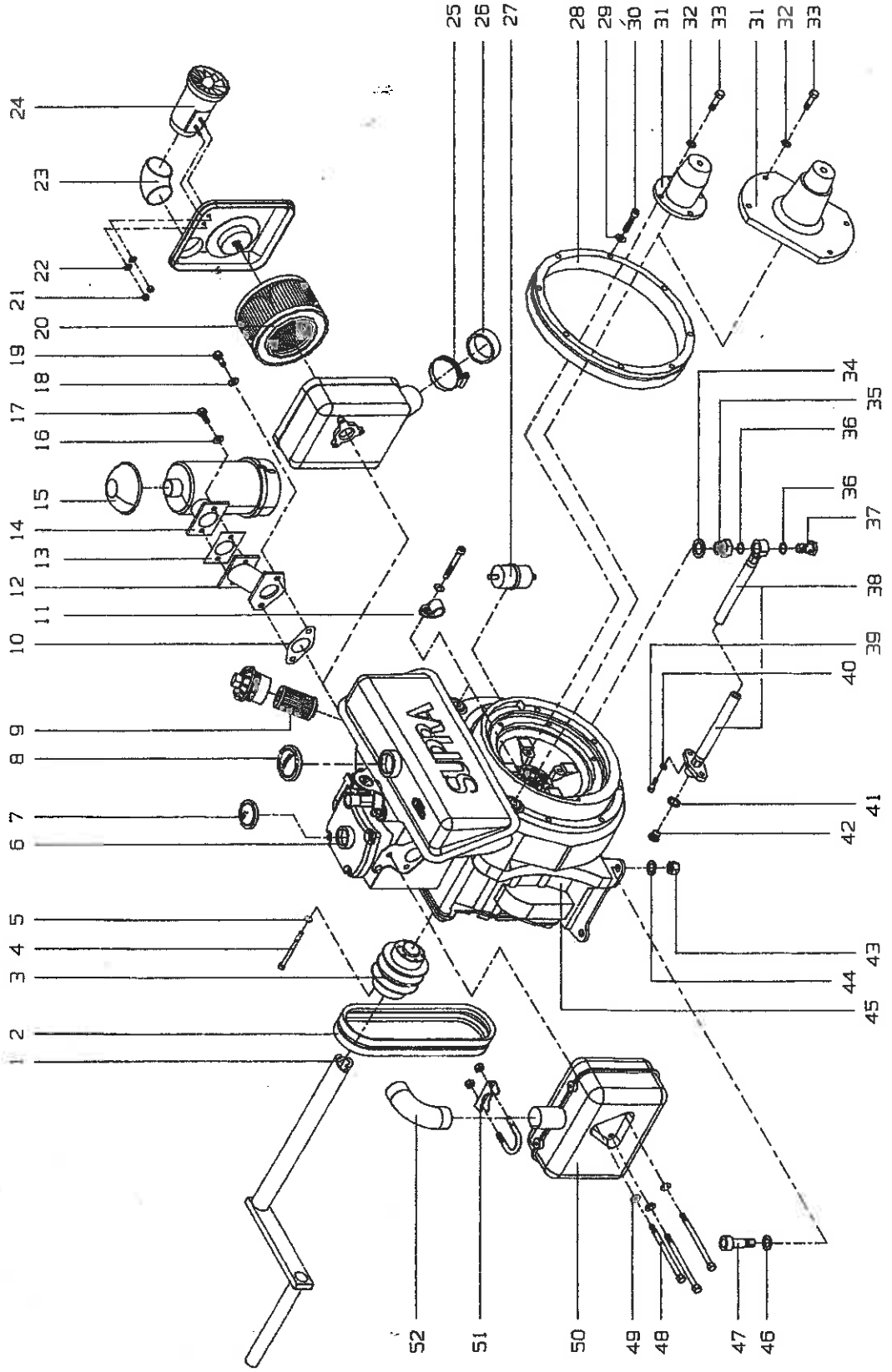


250 - 53 - 53

DIPSTICK MODIFICATION

250 - 53 - 1	Modification Complete	1	V25050230
250 - 53 - 2	Insert	1	V25050232
250 - 53 - 3	O Ring	2	V16220091
250 - 53 - 4	Oil Dipstick	1	V25050235

760 - 60 ENGINE



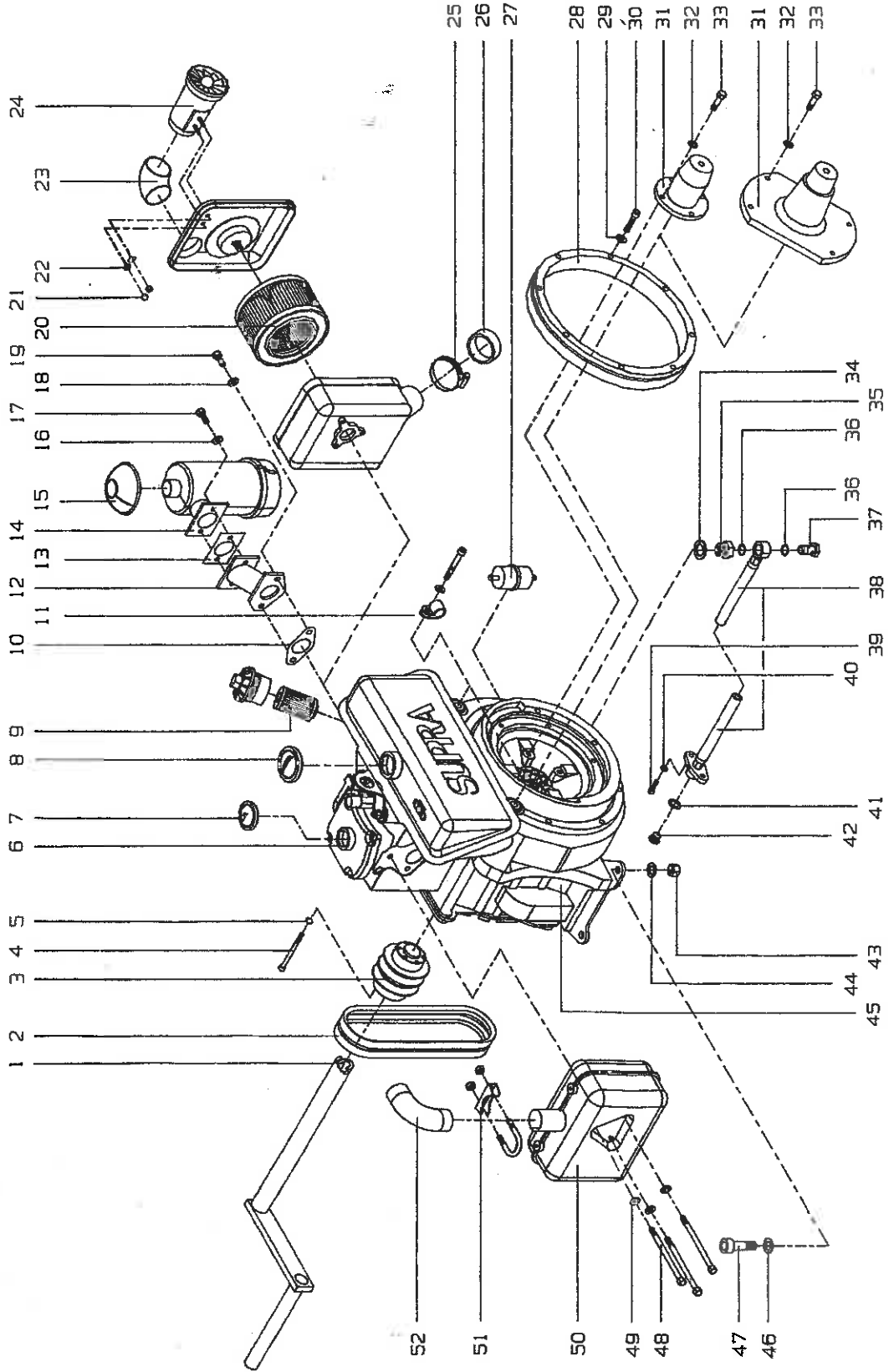
760 - 60**ENGINE**

760 - 60 - 1	Starting Handle	1	H00863700
760 - 60 - 2	V Belt	2	V16312206
1) 760 - 60 - 3	V Belt Pulley	1	V21090102
2) 760 - 60 - 3	V Belt Pulley	1	V76090102
760 - 60 - 4	SHC Screw	6	V17230699
760 - 60 - 5	Schnorr Washer	6	V15530610
760 - 60 - 6	Tappet Cover	1	H01286600
760 - 60 - 7	Oil Cap	1	H50392501
760 - 60 - 8	Fuel Cap	1	H40032700
760 - 60 - 9	Oil Filter	1	H01480000
760 - 60 - 10	Gasket	1	H01158700
760 - 60 - 11	Tube Clip	2	V15551908
760 - 60 - 12	Adaptor Flange	1	V21091102
760 - 60 - 13	Gasket	1	H01154000
760 - 60 - 14	Oil Bath Aircleaner	1	H40102900
760 - 60 - 15	Rain Cap	1	H40099500
760 - 60 - 16	Schnorr Washer	2	V15530813
760 - 60 - 17	Hex Bolt	2	V17140816
760 - 60 - 18	Schnorr Washer	2	V15530813
760 - 60 - 19	Hex Bolt	2	V17140824
760 - 60 - 20	Aircleaner Element	1	H04030100
760 - 60 - 20	Aircleaner Element	1	H40084501
760 - 60 - 21	Nylock Nut	2	V18130611
760 - 60 - 22	Washer	2	H50120000
760 - 60 - 23	Rubber Elbow	1	H05038910

760 - 60**ENGINE**

	760 - 60 - 24	Cyclone Precleaner	1	H01491001
	760 - 60 - 25	Hose Clamp	1	H50406600
	760 - 60 - 26	Rubber Cap	1	H00575900
	760 - 60 - 27	In Line Fuel Filter	1	H40089401
1)	760 - 60 - 28	Globe	1	V76060502
2)	760 - 60 - 28	Globe	1	V76060504
	760 - 60 - 29	Schnorr Washer	8	V15531016
	760 - 60 - 30	SHC Screw	8	V17231013
1)	760 - 60 - 31	Intermediate Flange	1	V76060501
2)	760 - 60 - 31	Intermediate Flange	1	V76060503
	760 - 60 - 32	Schnorr Washer	4	V15530813
	760 - 60 - 33	Hex Bolt	4	V17140832
	760 - 60 - 34	Sealing Ring	1	V19331198
	760 - 60 - 35	Reducer	1	V19710109
	760 - 60 - 36	Sealing Ring	2	V19331148
	760 - 60 - 37	Hollow Screw	1	V19710110
2)	760 - 60 - 38	Oil Drain Hose	1	V21060202
1)	760 - 60 - 38	Oil Drain Hose	1	V76060202
	760 - 60 - 39	SHC Screw	2	V17230809
	760 - 60 - 40	Schnorr Washer	2	V15530813
1)	760 - 60 - 41	Usif Ring	1	V16211422
2)	760 - 60 - 42	Screw Plug	1	V17621415
	760 - 60 - 43	Nylock Nut	4	V18131218
	760 - 60 - 44	Schnorr Washer	4	V15531218

760 - 60 ENGINE



760 - 60

ENGINE

1)	760 - 60 - 45	Hatz Diesel Engine	1	H1D60
2)	760 - 60 - 45	Hatz Diesel Engine	1	H1D50
	760 - 60 - 46	Disc	4	V18752130
	760 - 60 - 47	SHC Screw	4	V17231225
	760 - 60 - 48	Hex Bolt	3	V17130887
	760 - 60 - 49	Schnorr Washer	3	V15530813
	760 - 60 - 50	Exhaust Box	1	H90006005
	760 - 60 - 51	Clamping Kit	1	H90006007
	760 - 60 - 52	Exhaust Elbow	1	H90006006

1) For Machines Fitted with 1D60 Engines

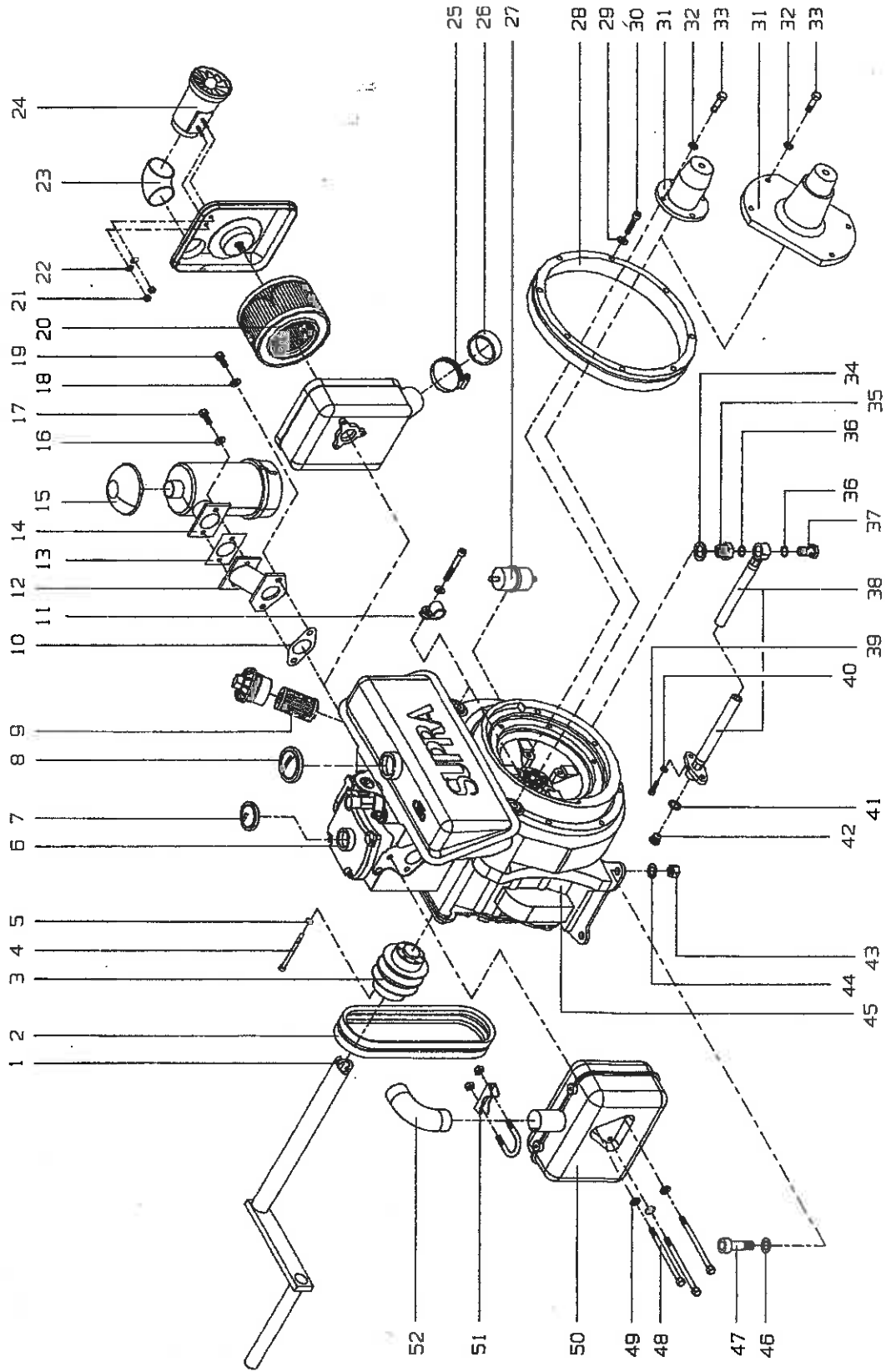
2) For Machines Fitted with 1D50 Engines

V15531218	760 - 30 - 16
	760 - 30 - 28
	760 - 40 - 11
	760 - 40 - 20
	210 - 41 - 4
	760 - 60 - 44
	210 - 43 - 24
V15551409	760 - 40 - 33
V15551901	760 - 40 - 40
	210 - 43 - 30
V15551908	760 - 40 - 41
	760 - 40 - 59
	760 - 60 - 11
V15566900	210 - 41 - 7
	210 - 43 - 28
	760 - 42 - 3
V15568382	760 - 42 - 4
V15568750	760 - 42 - 5
V15568850	250 - 52 - 9
V15630011	250 - 52 - 2
V15631110	250 - 52 - 1
V15632011	250 - 52 - 5
V15633011	250 - 52 - 4
V15634011	250 - 52 - 3
V15635010	250 - 52 - 7
V15636020	250 - 52 - 8
V15637020	760 - 30 - 26
V15650053	760 - 32 - 15
V15650058	

V15660105	760 - 32 - 2
V15660205	760 - 32 - 14
V15660326	760 - 32 - 1
V15660405	760 - 32 - 3
V15660505	760 - 32 - 9
V15660605	760 - 32 - 7
V15660705	760 - 32 - 13
V15981345	760 - 20 - 18
V16128813	760 - 40 - 25
V16211018	760 - 50 - 37
V16211218	210 - 41 - 5
V16211422	760 - 50 - 30
	760 - 60 - 41
V16213139	760 - 50 - 15
V16220091	760 - 50 - 10
	250 - 53 - 3
	250 - 53 - 3
	760 - 40 - 5
V16220195	760 - 40 - 56
V16220254	760 - 50 - 10
V16235006	760 - 10 - 5
V16260017	760 - 60 - 2
V16312206	760 - 30 - 27
V16312235	760 - 30 - 34
V16324119	760 - 30 - 61
V16520048	760 - 40 - 48
V17130656	760 - 60 - 48
V17130887	760 - 50 - 11
V17131028	

V17131229	760 - 10 - 1
V17131240	760 - 40 - 37
	210 - 43 - 21
V17140524	760 - 42 - 9
V17140620	760 - 40 - 38
V17140624	760 - 50 - 4
	760 - 50 - 6
	760 - 50 - 23
	760 - 50 - 24
V17140632	210 - 43 - 32
V17140816	760 - 40 - 43
	760 - 40 - 57
	760 - 60 - 17
	210 - 43 - 27
V17140824	760 - 40 - 30
	760 - 50 - 16
	760 - 60 - 19
	210 - 43 - 14
	760 - 60 - 33
V17140832	210 - 43 - 3
V17140844	760 - 30 - 24
V17141016	760 - 40 - 15
	760 - 20 - 13
V17141024	760 - 50 - 38
V17141032	760 - 40 - 1
V17141224	760 - 20 - 3
	760 - 30 - 17
	760 - 40 - 19

760 - 60 ENGINE



V19181612	250 - 51 - 3
V19181702	760 - 40 - 55
V19181704	760 - 30 - 54
V19210300	210 - 44 - 9
V19210800	760 - 50 - 65
V19211000	760 - 30 - 32
V19211300	760 - 50 - 44
V19211800	760 - 30 - 49
	760 - 32 - 6
	250 - 51 - 1
V19211800	250 - 51 - 1
V19222100	210 - 44 - 24
V19222500	760 - 50 - 72
V19223300	760 - 30 - 63
V19223400	760 - 30 - 44
	760 - 32 - 11
V19311211	760 - 50 - 33
V19311231	210 - 44 - 23
V19311911	760 - 30 - 7
	760 - 50 - 27
V19312403	760 - 50 - 28
V19314201	760 - 20 - 15
V19331148	760 - 60 - 36
V19331198	760 - 60 - 34
V19510005	760 - 40 - 31
V19510006	760 - 40 - 32
V19510007	760 - 40 - 34
V19710109	760 - 60 - 35

V19710110	760 - 60 - 37
V19812100	760 - 42 - 7
V19852086	210 - 44 - 5
V19915349	760 - 50 - 21
V21010108	760 - 10 - 3
V21010109	760 - 10 - 16
V21010110	760 - 10 - 4
V21010201	760 - 10 - 12
V21010301	760 - 10 - 6
V21010302	760 - 10 - 2
V21020102	760 - 20 - 17
V21020601	760 - 20 - 20
V21030102	760 - 30 - 10
V21030201	760 - 30 - 40
V21030202	760 - 30 - 38
V21030206	760 - 30 - 45
V21030207	760 - 30 - 46
V21030302	760 - 30 - 6
V21030303	760 - 30 - 53
V21030402	760 - 30 - 67
V21030501	760 - 30 - 31
V21030502	760 - 30 - 33
V21030503	760 - 30 - 35
V21030601	760 - 30 - 48
V21030602	760 - 30 - 64
V21030603	760 - 30 - 50
V21030604	760 - 30 - 4
	210 - 43 - 18

V21030607	760 - 31 - 1
V21030801	760 - 30 - 60
V21030901	760 - 30 - 55
V21031001	760 - 30 - 14
V21040203	760 - 40 - 60
	210 - 43 - 23
V21045402	760 - 40 - 21
V21050306	760 - 50 - 14
V21050901	760 - 40 - 54
V21050904	760 - 40 - 7
V21058509	210 - 44 - 8
V21058510	210 - 44 - 2
V21058511	210 - 44 - 16
V21058512	210 - 44 - 13
V21058513	210 - 44 - 22
V21058517	210 - 44 - 20
V21058518	210 - 44 - 1
V21058519	210 - 44 - 4
V21058520	210 - 44 - 7
V21058522	210 - 44 - 10
V21058621	210 - 44 - 21
V21060201	760 - 40 - 13
V21060202	760 - 60 - 38
V21060204	760 - 40 - 12
V21060403	210 - 43 - 22
V21060406	760 - 40 - 49
V21060408	760 - 40 - 61
V21060450	760 - 40 - 49

H00575900	760 - 60 - 26
H00863700	760 - 60 - 1
H01154000	760 - 60 - 13
H01158700	760 - 60 - 10
H01286600	760 - 60 - 6
H01480000	760 - 60 - 9
H01491001	760 - 60 - 24
H04030100	760 - 60 - 20
H05038910	760 - 60 - 23
H1D50	760 - 60 - 45
H1D60	760 - 60 - 45
H40032700	760 - 60 - 8
H40084501	760 - 60 - 20
H40089401	760 - 60 - 27
H40099500	760 - 60 - 15
H40102900	760 - 60 - 14
H50120000	760 - 60 - 22
H50392501	760 - 60 - 7
H50406600	760 - 60 - 25
H90006005	760 - 60 - 50
H90006006	760 - 60 - 52
H90006007	760 - 60 - 51
V15113306	760 - 30 - 62
V15114004	760 - 50 - 71
V15114005	760 - 50 - 41
V15114204	760 - 50 - 66
V15114406	760 - 32 - 10
V15115005	760 - 50 - 45

V15121006	760 - 30 - 43
V15222230	760 - 50 - 43
V15222292	760 - 20 - 16
	760 - 30 - 8
V15224274	760 - 10 - 7
V15331242	760 - 30 - 47
	760 - 32 - 8
V15331849	760 - 10 - 8
V15332511	760 - 30 - 9
V15340080	760 - 50 - 49
V15520620	760 - 50 - 75
V15520813	760 - 30 - 20
V15521210	760 - 32 - 12
V15521225	760 - 50 - 50
V15521730	760 - 10 - 10
V15522100	760 - 50 - 70
V15530509	250 - 52 - 11
V15530610	760 - 32 - 4
	760 - 40 - 17
	760 - 40 - 39
	760 - 50 - 3
	760 - 50 - 7
	760 - 50 - 22
	760 - 50 - 25
	760 - 60 - 5
	210 - 43 - 16
	210 - 43 - 31
	210 - 44 - 17

V15530813	760 - 30 - 12
	760 - 30 - 23
	760 - 30 - 36
	760 - 30 - 69
	760 - 40 - 29
	760 - 40 - 42
	760 - 40 - 58
	760 - 50 - 17
	760 - 60 - 16
	760 - 60 - 18
	760 - 60 - 32
	760 - 60 - 40
	760 - 60 - 49
	210 - 43 - 13
	210 - 44 - 12
V15531016	760 - 30 - 25
	760 - 30 - 41
	760 - 30 - 52
	760 - 30 - 57
	760 - 30 - 59
	760 - 30 - 66
	760 - 40 - 2
	760 - 40 - 14
	760 - 50 - 12
	760 - 60 - 29
V15531218	760 - 10 - 14
	760 - 20 - 2
	760 - 20 - 4

V17141236	760 - 10 - 15
	760 - 20 - 1
	760 - 40 - 10
V17141636	760 - 40 - 27
V17210416	210 - 44 - 15
V17210604	760 - 32 - 5
V17230525	250 - 52 - 10
V17230601	210 - 43 - 17
V17230699	760 - 60 - 4
V17230801	760 - 30 - 19
	760 - 30 - 68
V17230809	760 - 30 - 13
V17230809	760 - 30 - 22
	760 - 30 - 37
	760 - 50 - 64
	760 - 60 - 39
V17230817	210 - 44 - 11
V17230829	760 - 50 - 53
V17231013	760 - 30 - 42
	760 - 30 - 65
	760 - 60 - 30
V17231017	760 - 30 - 56
V17231025	760 - 30 - 51
V17231061	760 - 30 - 58
V17231225	760 - 60 - 47
V17231233	760 - 30 - 29
V17540804	760 - 10 - 13
	760 - 20 - 19

V17540804	760 - 30 - 5
V17581008	760 - 20 - 7
V17621415	760 - 60 - 42
V17631415	760 - 50 - 31
V17760804	760 - 50 - 36
V18110508	760 - 42 - 6
V18110610	210 - 41 - 6
	210 - 43 - 29
	210 - 43 - 33
V18111015	210 - 41 - 3
V18121210	760 - 40 - 16
V18130611	760 - 40 - 44
	760 - 60 - 21
	210 - 44 - 18
V18130813	760 - 50 - 56
	210 - 43 - 6
V18131016	760 - 20 - 9
V18131218	760 - 40 - 9
	760 - 40 - 51
	760 - 60 - 43
V18131218	210 - 43 - 25
V18181161	760 - 30 - 2
	760 - 40 - 52
	210 - 43 - 20
V18510612	760 - 40 - 45
V18510817	210 - 43 - 5
	210 - 43 - 26
V18511730	760 - 30 - 3

V18511730	210 - 43 - 19
V18520014	760 - 50 - 9
V18530509	760 - 42 - 8
V18591740	760 - 40 - 26
V18711324	760 - 40 - 8
V18711730	760 - 40 - 53
V18752105	760 - 20 - 8
	760 - 20 - 12
V18752130	760 - 40 - 50
V18752130	760 - 60 - 46
V19130804	760 - 50 - 13
V19138400	210 - 44 - 14
V19150417	210 - 44 - 26
V19150813	210 - 44 - 3
V19151813	760 - 40 - 36
V19160807	760 - 30 - 18
V19161008	760 - 20 - 14
	760 - 30 - 21
V19162512	760 - 20 - 5
	760 - 30 - 15
V19170204	210 - 44 - 6
V19180405	760 - 50 - 60
V19181208	250 - 52 - 6
V19181218	760 - 50 - 40
V19181302	760 - 40 - 6
V19181602	760 - 30 - 30
V19181604	760 - 30 - 39
V19181612	250 - 51 - 3

V21060453	210 - 43 - 1
V21060455	210 - 43 - 2
V21060458	210 - 43 - 4
V21060501	760 - 60 - 31
V21060610	760 - 40 - 46
V21068022	210 - 41 - 2
	210 - 43 - 11
V21068411	760 - 42 - 1
V21068421	210 - 41 - 1
V21068426	210 - 44 - 19
V21068428	210 - 43 - 8
	210 - 44 - 25
V21068510	210 - 43 - 7
V21069026	210 - 43 - 10
V21070901	210 - 43 - 15
V21070904	210 - 43 - 12
V21081300	760 - 40 - 22
V21081303	760 - 40 - 18
V21090102	760 - 60 - 3
V21090105	760 - 40 - 28
V21091102	760 - 60 - 12
V21092605	760 - 40 - 23
V25050000	760 - 40 - 4
V25050102	760 - 50 - 32
V25050103	760 - 50 - 62
V25050200	760 - 50 - 1
V25050220	760 - 50 - 2
V25050230	250 - 53 - 1

V25050230	250 - 53 - 1
V25050232	250 - 53 - 2
	250 - 53 - 2
V25050235	760 - 50 - 8
	250 - 53 - 4
V25050235	250 - 53 - 4
V25050301	760 - 50 - 47
V25050302	760 - 50 - 46
V25050401	250 - 51 - 4
	250 - 51 - 4
V25050402	250 - 51 - 2
	250 - 51 - 2
V25050403	760 - 50 - 26
V25050404	760 - 50 - 2
V25050407	760 - 50 - 42
V25050503	760 - 50 - 74
V25050504	760 - 50 - 73
V25050505	760 - 50 - 68
V25050506	760 - 50 - 5
V25050507	760 - 50 - 39
V25050508	760 - 50 - 67
V25050602	760 - 50 - 29
V25050603	760 - 50 - 69
V25050703	760 - 50 - 58
V25050704	760 - 50 - 61
V25050705	760 - 50 - 59
V25050706	760 - 50 - 55
V25050707	760 - 50 - 57

V25050708	760 - 50 - 54
V25050712	760 - 50 - 34
V25050713	760 - 50 - 35
V25050715	760 - 50 - 63
V25050801	760 - 50 - 18
V25050802	760 - 50 - 19
V25050803	760 - 50 - 8
V25050805	760 - 50 - 20
V25050912	760 - 40 - 3
V25051300	760 - 50 - 51
V25051302	760 - 50 - 52
V25052504	760 - 50 - 48
V63040901	760 - 40 - 24
V63060620	210 - 43 - 9
V76010101	760 - 10 - 9
V76010801	760 - 10 - 11
V76020201	760 - 20 - 11
V76020401	760 - 20 - 6
V76020701	760 - 20 - 10
V76030605	760 - 30 - 11
V76030606	760 - 31 - 3
V76030607	760 - 30 - 1
V76040703	760 - 40 - 35
V76060202	760 - 60 - 38
V76060502	760 - 60 - 28
V76060503	760 - 60 - 31
V76060504	760 - 60 - 28
V76060620	760 - 40 - 47

V76060620

210 - 43 - 9

V76068014

760 - 42 - 2

V76090102

760 - 60 - 3